

# COVE EDGE COLLECTION



CV-30E

CV-30EEMM

CV-30EWT

## NATURALLY CONTEMPORARY

The Cove Edge Collection seamlessly integrates into contemporary landscaping with its unique edge design. Natural Grey, White, or Midnight Mist Supercast™ finish options allow the focus be on the stunning dancing flames. The organic, natural appearance of the concrete is unique to each fire pit. Color variations and wear are common attributes to the fire pit. Pitting may occur.

## FEATURES:

- Natural Grey, White, or Midnight Mist Supercast™ bowl - color density variations ensure each fire table is unique
- Common attributes include natural wear and color density variation
- 28" round Crystal Fire® Plus burner insert and plate kit (BP30RD-A)
- Does not fit 20 lb. propane tank in base
- Optional CVR42
- 105,000 BTUs (LP); 106,000 BTUs (NG)
- Made in USA
- UL Listed



THE OUTDOOR  
GREATROOM  
COMPANY

[sales@outdoorrooms.com](mailto:sales@outdoorrooms.com) | 1.866.303.4028 | [outdoorrooms.com](http://outdoorrooms.com)

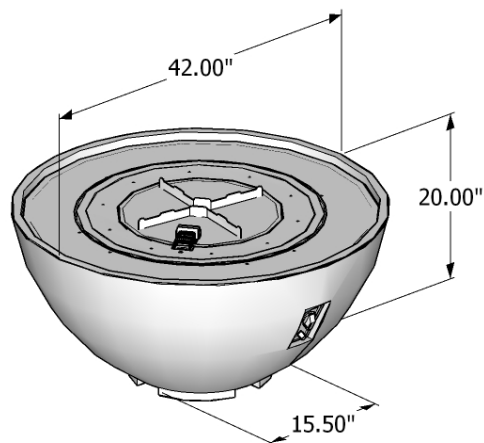
## PRODUCT INFORMATION:

ITEM	ITEM CODE	RETAIL PRICE
Cove Edge 30" Natural Grey	CV-30E	\$2619
Cove Edge 30" Midnight Mist	CV-30EMM	\$2839
Cove Edge 30" White	CV-30EWHT	\$2839

## OPTIONAL ACCESSORIES:

ITEM	ITEM CODE	RETAIL PRICE
Glass Wind Guard	GLASS GUARD-30-R	\$389
Tan Protective Cover	CVR42	\$65
Outdoor Ceramic Fiber Log Set	CF20-LOG SET	\$169

## DIMENSIONS:



CV-30E