



The Cove Fire Pit

Installation Instructions for CV-12 and CV-20



IMPORTANT

Please consult your Crystal Fire instruction manual for detailed instructions and important information related to the burner installation including: lighting and operating instructions, safety information, and proper tightening of connections with two wrenches.

DO NOT ATTEMPT TO INSTALL CRYSTAL FIRE BURNER WITHOUT FIRST CONSULTING THE CRYSTAL FIRE OWNER'S MANUAL.

Contents

Required Tools.....	3
Included with your Fire Pit.....	4
Assembly Instructions.....	5
Igniter Installation.....	6
Gas Connections.....	6
Glass Installation.....	9

Required Tools



- **Two people are required for this installation.**



- **2 Open Ended Wrenches**
To secure gas connections.



- **Leather Gloves**
To protect hands from rough edges found on fire pit during installation.



- **One AAA Battery (not included)**
Required for electric spark igniter installation.

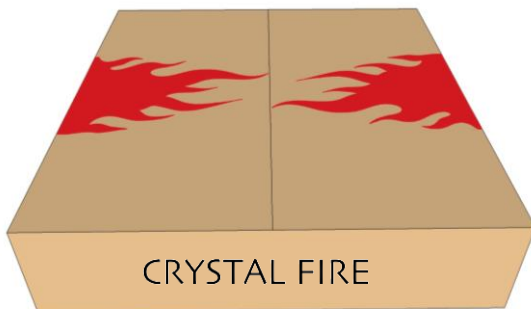


- **Utility Knife**
To cut and remove packaging.



- **Power Drill**
To remove support board from crate.

Included with your Fire Pit

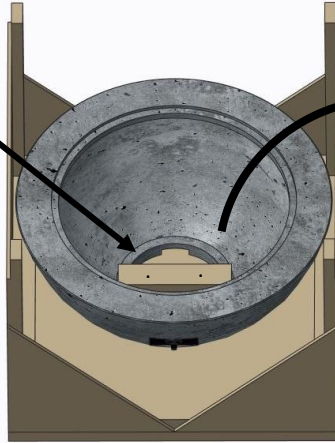


Crystal Fire CF-12 or CF-20 Burner Kit

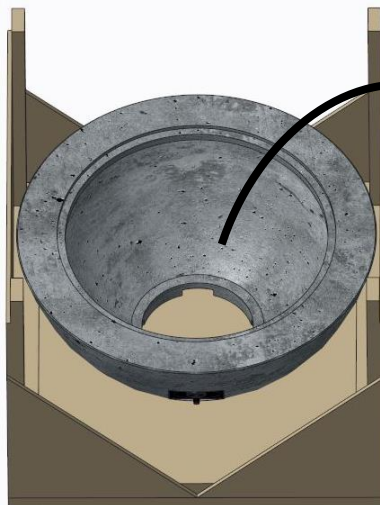
Assembly Instructions

1. First, unscrew the shipping block with a power drill. Discard board. It will not be needed for further assembly of this product.
2. Remove fire pit base from the crate you received it in. Place the base in your desired location. Two people are recommended for this step of the installation.

Shipping Block



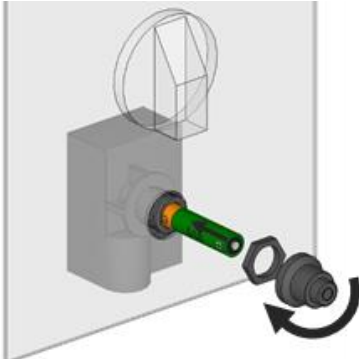
1



2

Igniter Installation

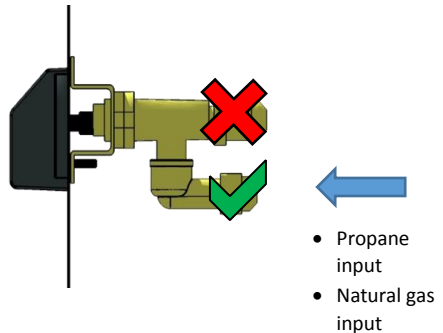
1. Make sure the valve is in the OFF position before beginning.
2. Remove sparker cap by turning counter-clockwise and insert a AAA battery (not included).



Gas Connections

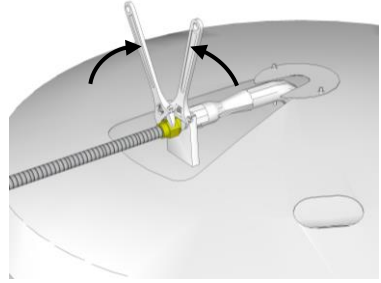
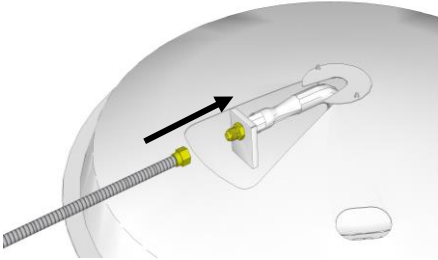
Read and understand your Crystal Fire Burner Owner's manual before beginning burner hookups or using the device.
Do not use Teflon tape or pipe dope on flare fittings.

1. Reach inside the base and attach gas supply line to the input shown below, using a 3/8" flare fitting.

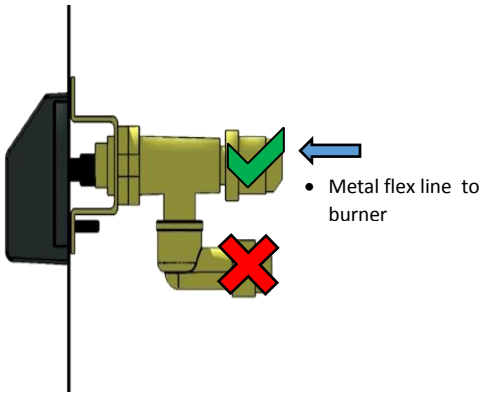


2. Ensure the correct orifice is installed for the fuel type you are using (see Crystal Fire Burner Owner's manual included with burner for orifice sizing information).

TIGHTEN SECURELY WITH TWO WRENCHES



3. Attach flex line from the burner to gas valve as shown below.

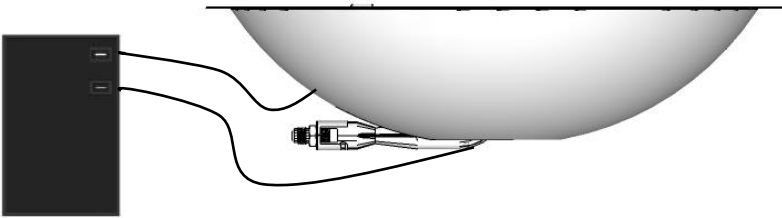


**TIGHTEN CONNECTION
SECURELY WITH WRENCH**

Igniter Installation (continued)

Sparker will not operate correctly without an ignition **and** ground wire attached.

- Plug both **BLACK** wires hanging from the burner into the back of the sparker box. If an orange wire is present, do not use it. The orange wire is for automatic ignition system add-on only.



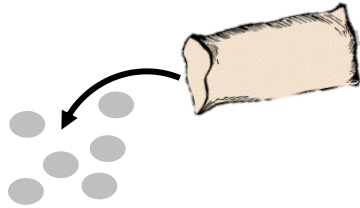
- Test system by pushing the button on the igniter. Consult the troubleshooting section of the Crystal Fire Burner Owner's Manual, if the spark is weak, intermittent, or not present.

Set burner into the fire pit base as shown below



Glass Installation

1. Scatter all the included glass beads evenly onto burner surface.



**DO NOT OPERATE CRYSTAL FIRE BURNER WITHOUT INCLUDED
GLASS BEADS**

IMPORTANT

Please consult your Crystal Fire instruction manual for detailed instructions and important information related to the burner installation including: lighting and operating instructions, safety information, and proper tightening of connections with two wrenches.

DO NOT ATTEMPT TO INSTALL CRYSTAL FIRE BURNER WITHOUT FIRST CONSULTING THE CRYSTAL FIRE BURNER OWNER'S MANUAL.

WARNING

After consulting the manual and following instructions, remember; before operating, all gas connections must be fully checked for leaks

Warranty: Fire pit tables are covered under a 1-year manufacturer's warranty. Please visit <http://www.outdoorrooms.com/warranty-form/> to register your product.

Thank you for purchasing an Outdoor GreatRoom Company product! This fire pit was made with pride in the USA.



14400 Southcross Drive West • Suite 100 • Burnsville, MN 55306
Toll Free: 1-866-303-4028 • Sales@OutdoorRooms.com