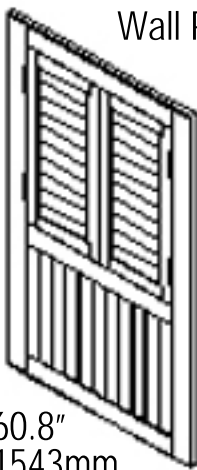

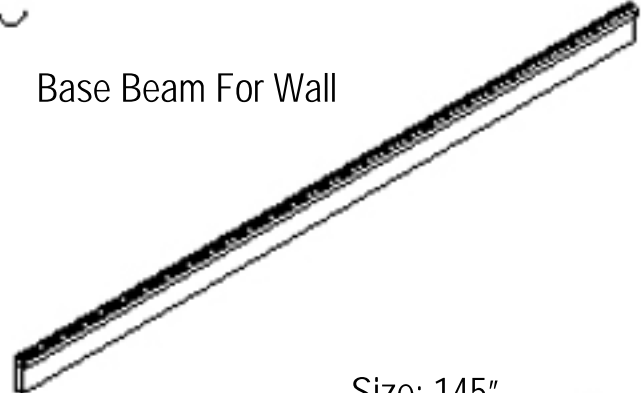
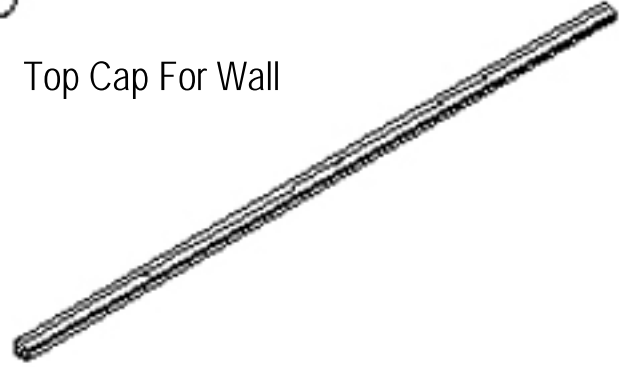
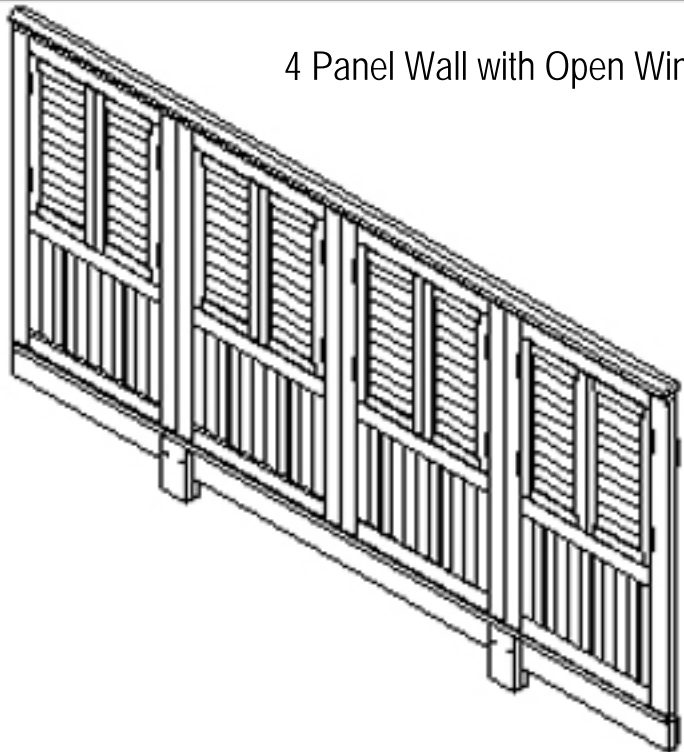

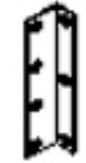






ASSEMBLY INSTRUCTIONS FOR 14' x 14' SONOMA ARCHED TOP PERGOLA : OPTIONAL SIDEWALL WINDOW LATCHES

<p>A Wall Panel</p>  <p>Size: 60.8" 1543mm</p> <p>X4</p>	<p>B Batten Strip</p>  <p>Size: 60" 1520mm</p> <p>X3</p>	<p>C Base Beam For Wall</p>  <p>Size: 145" 3680mm</p> <p>X1</p>	<p>D Top Cap For Wall</p>  <p>Size: 145" 3680mm</p> <p>X1</p>
---	---	---	--



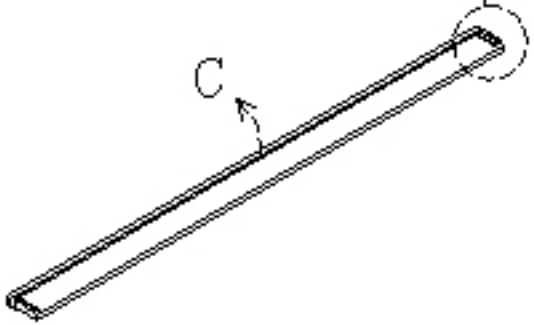
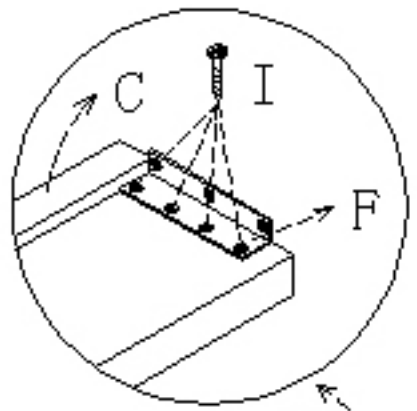
4 Panel Wall with Open Window

<p>E Wall Beam Support</p>  <p>Size: 10" 250mm</p> <p>X2</p>	<p>F Bracket</p>  <p>X4</p>	<p>G Screw</p>  <p>X 8</p> <p>Size: 0.2" x 3.5" 5 x 90mm</p>
<p>H Screw</p>  <p>X 4</p> <p>Size: 0.2" x 2.2" 5 x 55mm</p>	<p>I Screw</p>  <p>X 52</p> <p>Size: 0.16" x 1.18" 4 x 30mm</p>	<p>J</p>  <p>X8</p>

ASSEMBLY INSTRUCTIONS FOR 14' x 14' SONOMA ARCHED TOP PERGOLA : OPTIONAL SIDEWALL WINDOW LATCHES

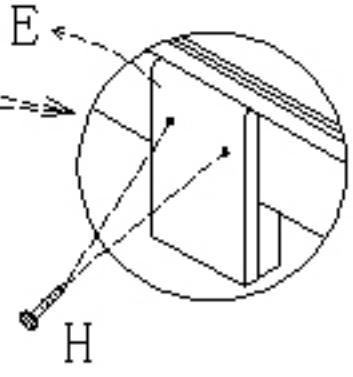
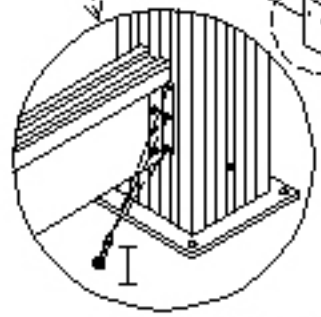
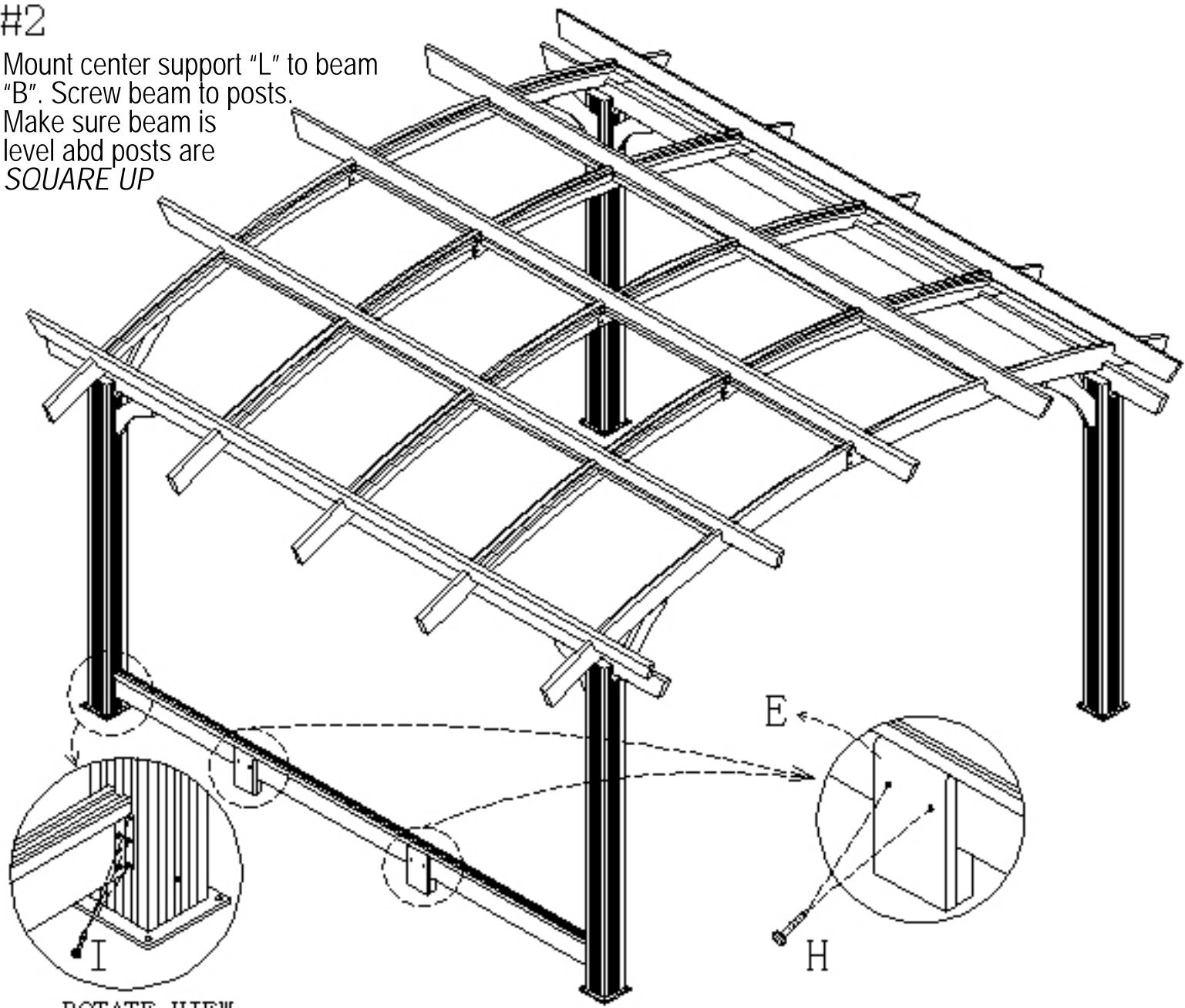
#1

Attach "L" Brackets "F" to each end of lower wall support beam "B"



#2

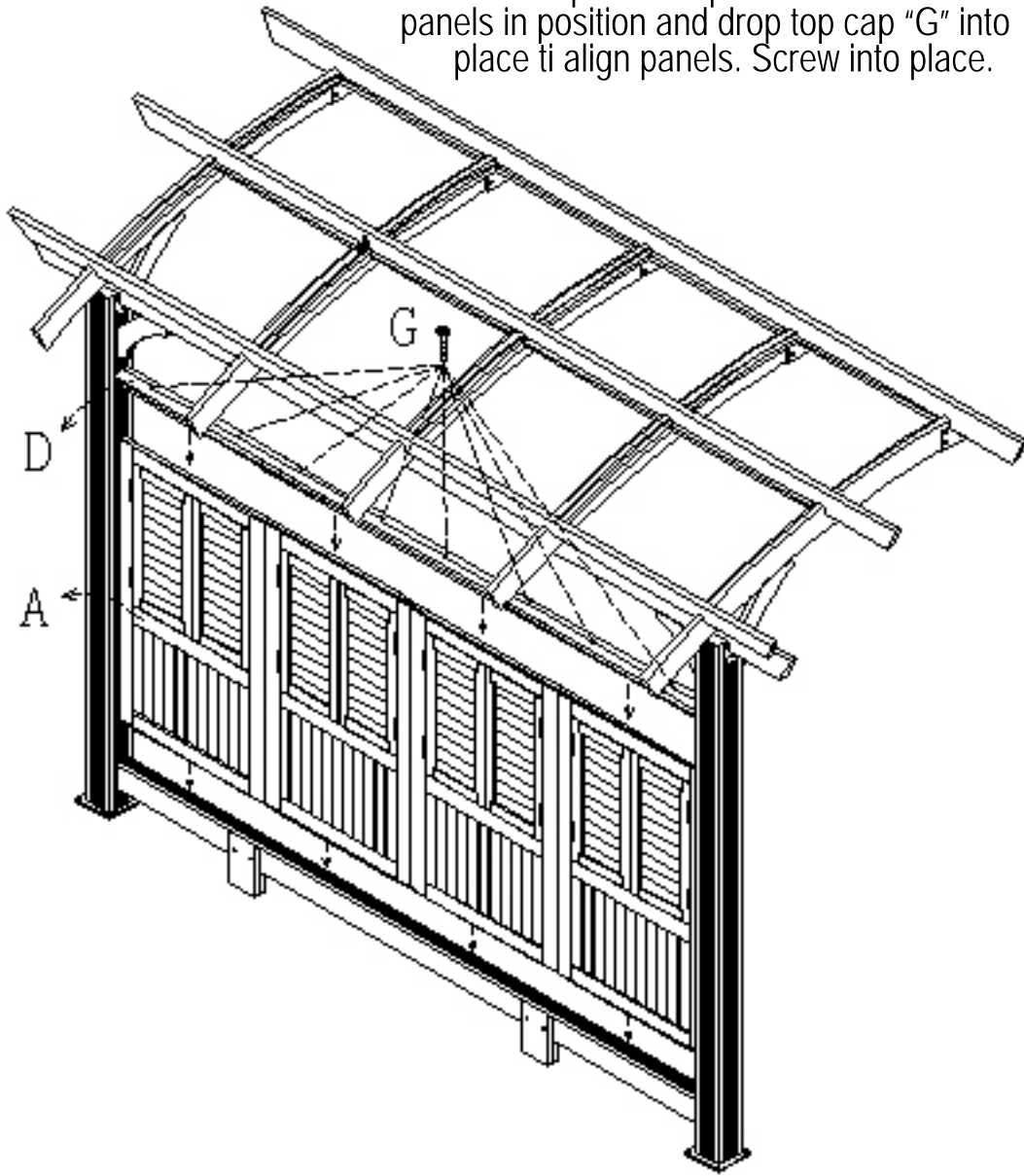
Mount center support "L" to beam "B". Screw beam to posts. Make sure beam is level and posts are *SQUARE UP*



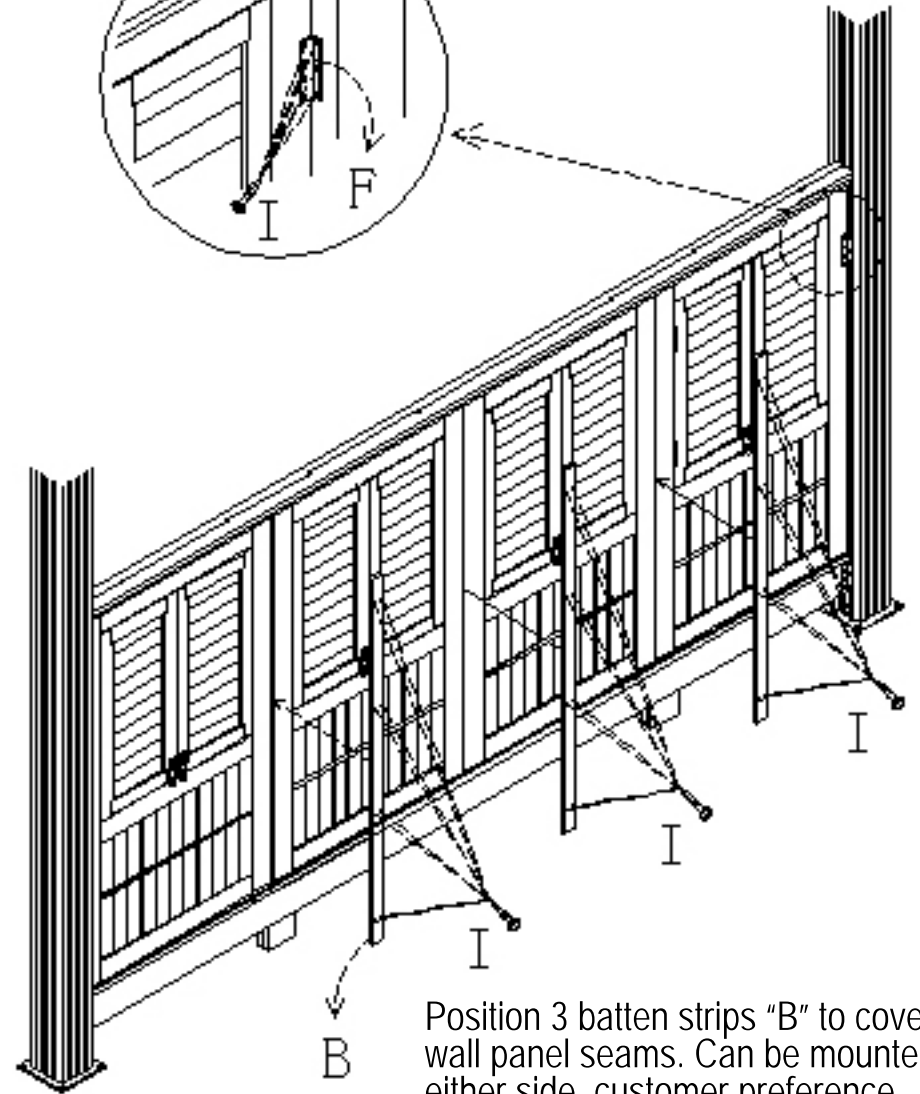
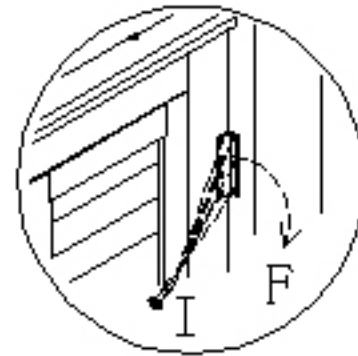
ROTATE VIEW

ASSEMBLY INSTRUCTIONS FOR 14' x 14' SONOMA ARCHED TOP PERGOLA : OPTIONAL SIDEWALL WINDOW LATCHES

#3 Position wall panels in slot on lower beam. Use "L" brackets to attach outer wall panels to posts. Hold inner two panels in position and drop top cap "G" into place to align panels. Screw into place.



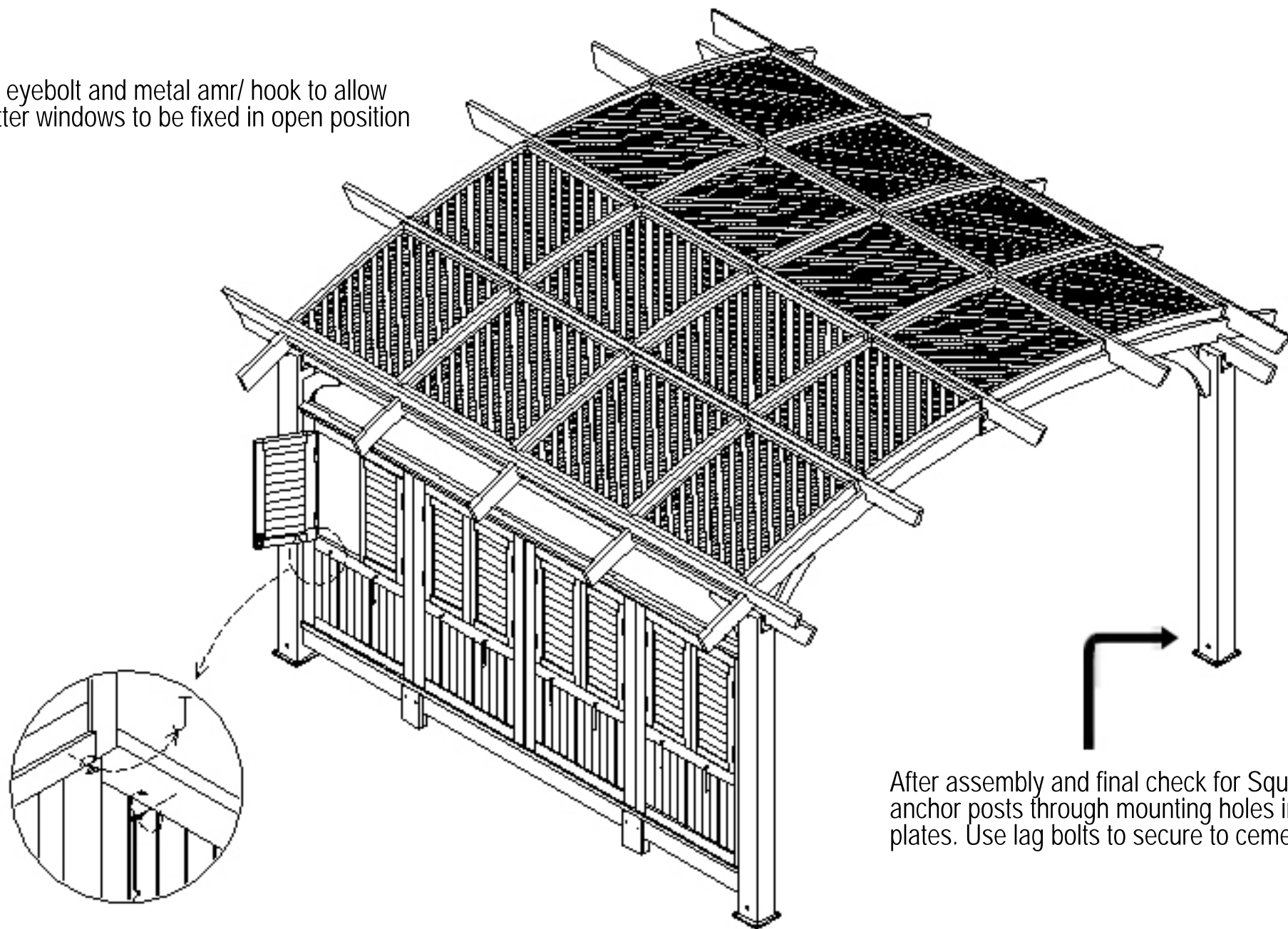
#4



Position 3 batten strips "B" to cover wall panel seams. Can be mounted either side, customer preference. Screw into place.

#5

Add eyebolt and metal arm/ hook to allow shutter windows to be fixed in open position



After assembly and final check for Squareness, anchor posts through mounting holes in post base plates. Use lag bolts to secure to cement surface.