

ASSEMBLY INSTRUCTION
Model: CAS#6239

En

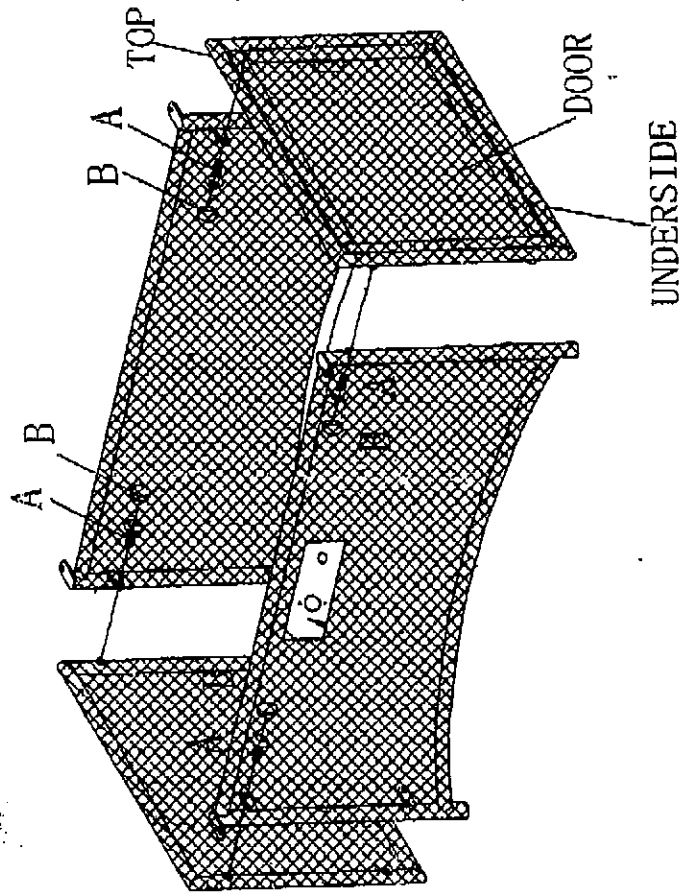
Part list:

A	Bolt M6X20MM	SC062	8PCS	B	Cover	PE003	12PCS
C	Bolt M6X13MM	SC004	4PCS	D	M6 Wrench	RM002	1PC
E	Bolt M5X10MM		2PCS	F	M5 NUT		2PCS

Note:

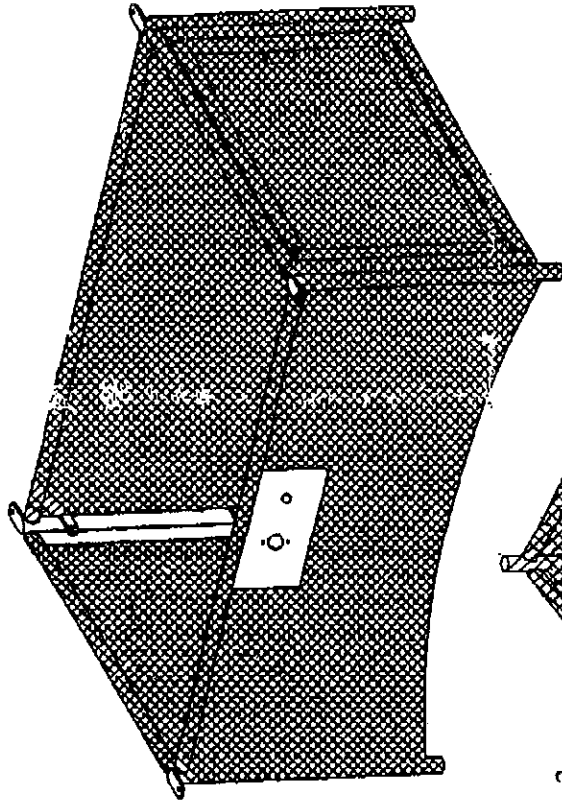
Please un_screw bolt from legs and re-use them for assembly

Step 1:

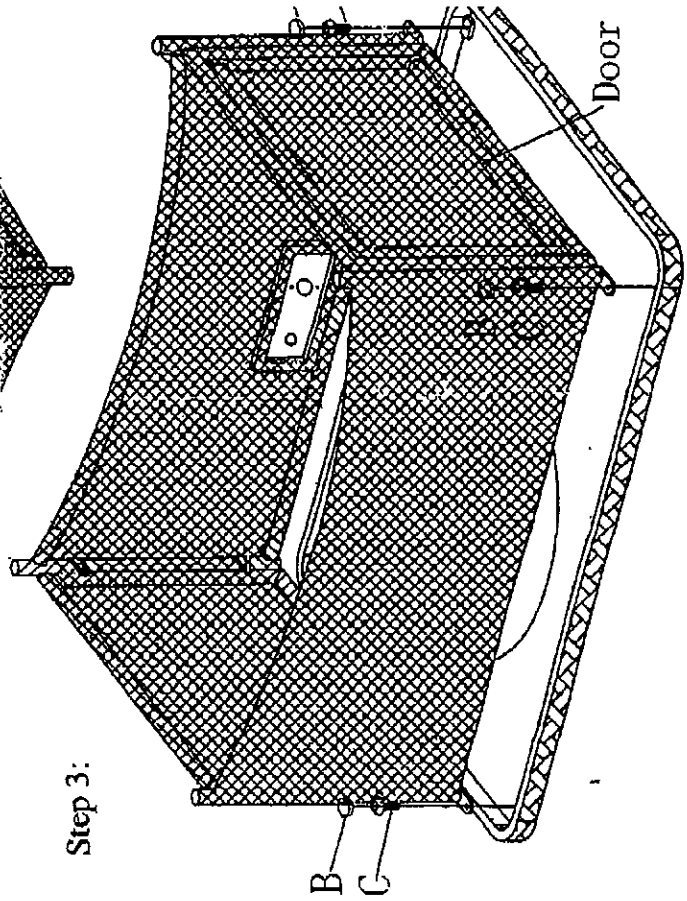


ASSEMBLY INSTRUCTION
Model: CAS#6239

Step 2:

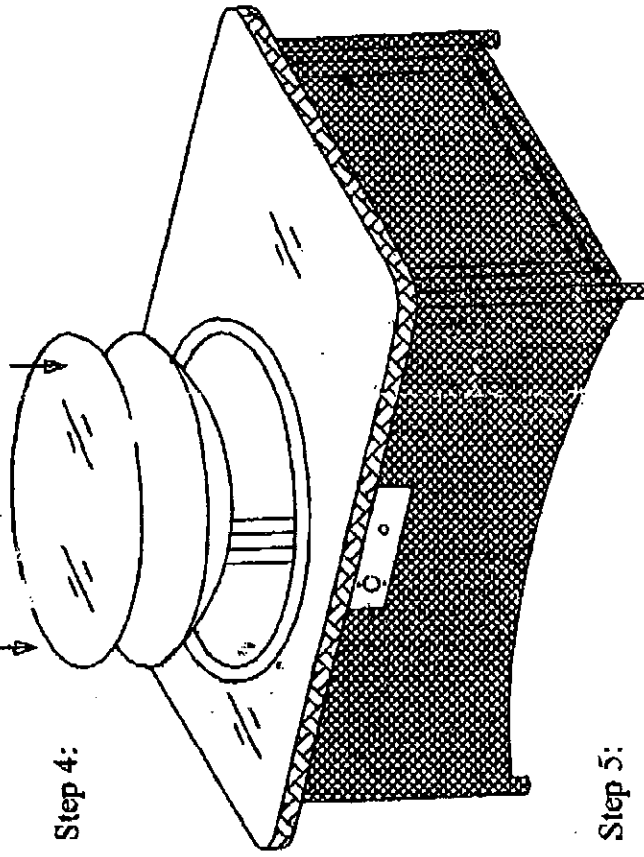


Step 3:



ASSEMBLY INSTRUCTION
Model : CAS#6239

Step 4:



Step 5:

