



LODGE II PERGOLA

The feeling of an authentic mountain lodge

The Lodge II pergola is the latest addition to the Outdoor Greatroom family. It's beautiful style and quality construction is reminiscent of stately lodges from a bygone era. Enjoy sitting out under a beautifully-crafted structure, while it protects you from the elements. With an optional metal roof, you can enjoy the great outdoors any time.

Lodge II Pergola Features

- Durable Douglas Fir—Made in the USA
- Precision cut and finish sanded
- Oil based Mocha stained finish
- Ready to assemble with included hardware
- Anchor system required
- Optional metal roof kit
- 3 year warranty

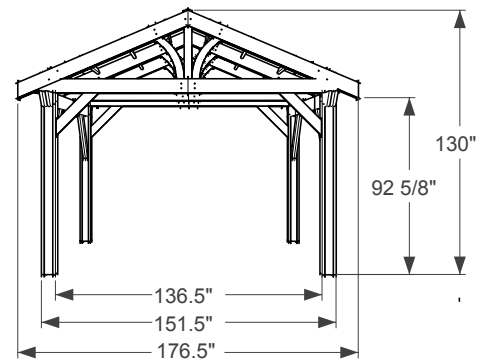


NOTE: Printing color may vary slightly from actual product.

Lodge II Pergola Specifications

MODEL	HEIGHT	WIDTH	DEPTH	WEIGHT
LODGEII-K	130"	176.5	180"	850lbs

NOTE: Pergolas must be anchored to footings, deck or patio slab.



Dimensions above are in inches. Reference dimensions only. We recommend measuring individual units at installation. Refer to installation manual for detailed specifications on installing this product.



2015 Silver Bell Road • Suite 195 • Eagan, MN 55122

Toll Free: 1-866-303-4028 • Sales@OutdoorRooms.com • OutdoorRooms.com