



Lodge II Pergola

Manual and Installation Instructions



Please read these instructions before removing parts from crate

Introduction

Thank you for your purchase from The Outdoor GreatRoom Company. This pergola has been engineered and manufactured in the USA. The purpose of this manual is to make the installation and assembly simpler. Outdoor GreatRoom company recommends visiting with your local authority for building codes, restrictions, or requirements for this product. Please read the manual through before starting the project.

This pergola is made of premium grade kiln dried Douglas Fir. Douglas Fir, if maintained properly, will last a very long time, similar to life of both Cedar and Redwood. All finished pieces have been dipped in stain to ensure penetration. It is recommended that the pergola receive a clear, oil based stain yearly to maintain the color, minimize warping and prevent rotting. Every few years a colored oil based stain should be used to keep the original color.

Due to the immersion process used to stain wood pieces, parts may arrive slightly wet. If this occurs, it is recommended that wood pieces be removed from crate and allowed to air-dry for a day or two before assembly.

Important:

Anchoring Required—Contact your local authority for details

Read instructions prior to assembly

Assistance is required and we recommend at least 4 people for installation

Do not let wood pergolas touch bare ground. Over time this can cause moisture damage and rotting of wood.

If you have questions contact the place of purchase

Douglas Fir Lumber may have surface splits. This occurs while the lumber dries and seasons. This characteristic is also known as “checking” in the lumber industry. These can be upwards of 1/8” running inches to feet in length. These characteristics do not deter the structural strength and integrity of the product nor does it affect or void the warranty.


Before Beginning, make sure that all components listed on the next page were included with your hardware kit. Contact your dealer if any parts are missing.

Tools Required

- Corded or Cordless Drill
- Phillips screw bit
- Measuring Tape
- Level
- Socket Set
- Rubber Mallet
- Ladder
- Hammer Drill*
- Concrete Drill Bit*
- Concrete Anchors*
- Forklift (Highly recommended for raising sides and A-frame, but not required)
- Metal shears (required for optional roof installation)

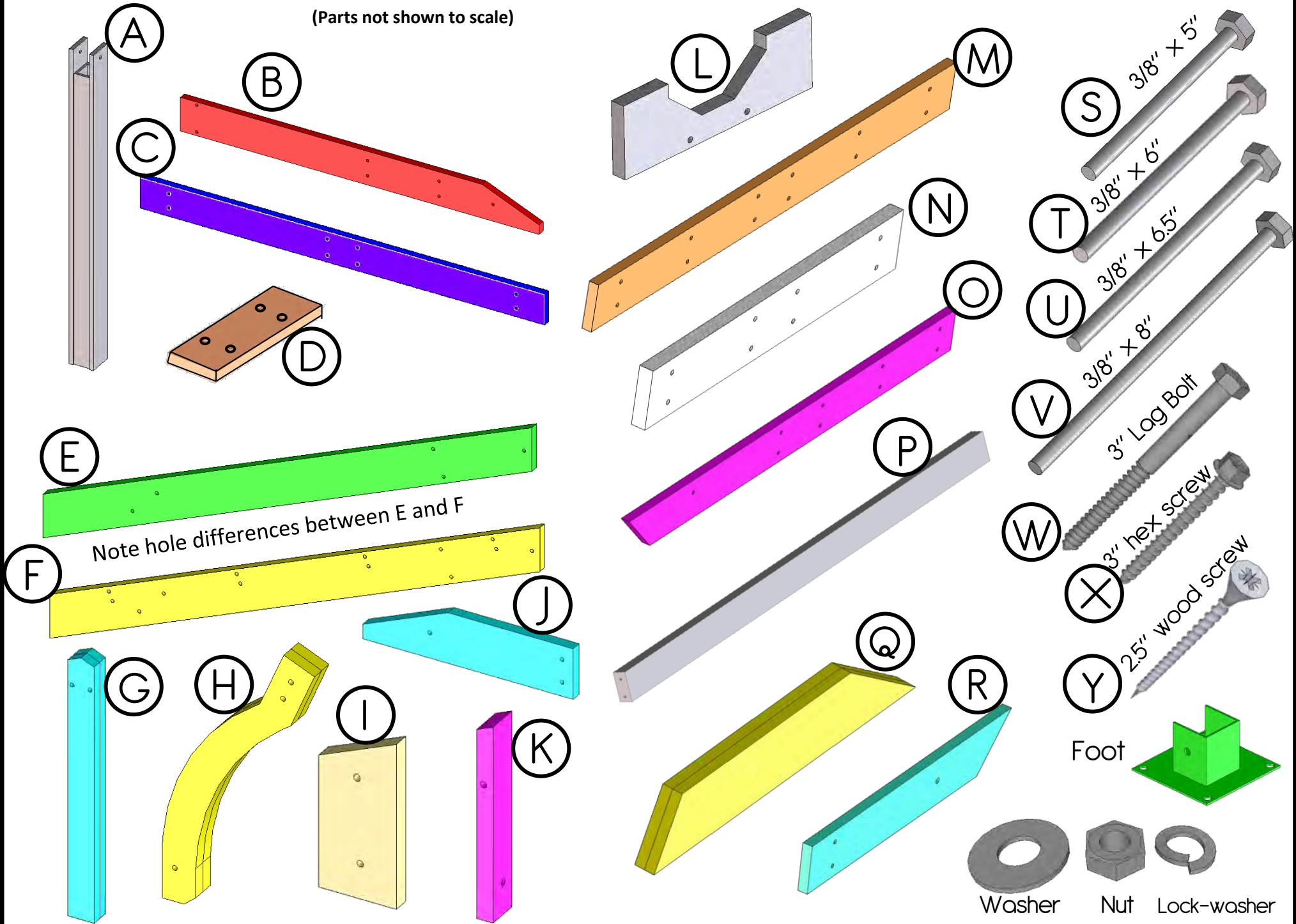
*Only Required for anchoring to concrete surfaces.

Disclaimer—The Outdoor GreatRoom Company is not liable for damage caused by weather or misuse

	<p style="text-align: center;">NOTE</p> <p>Extreme weather including heat, cold, rain, snow and high humidity affect all wood products. Taking proper care of your pergola is essential to ensure long-lasting performance and beauty.</p>
---	---

Lodge II Pergola Assembly Instructions - Part List

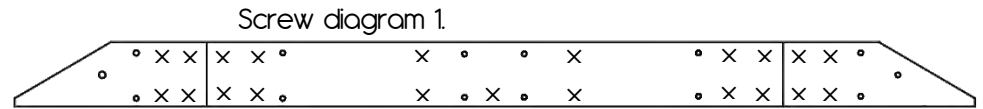
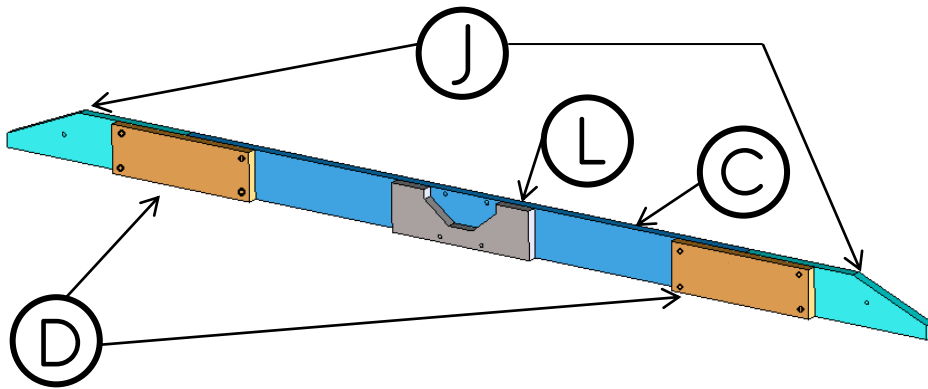
(Parts not shown to scale)



Step 1:

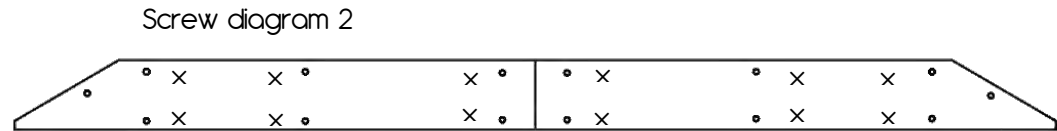
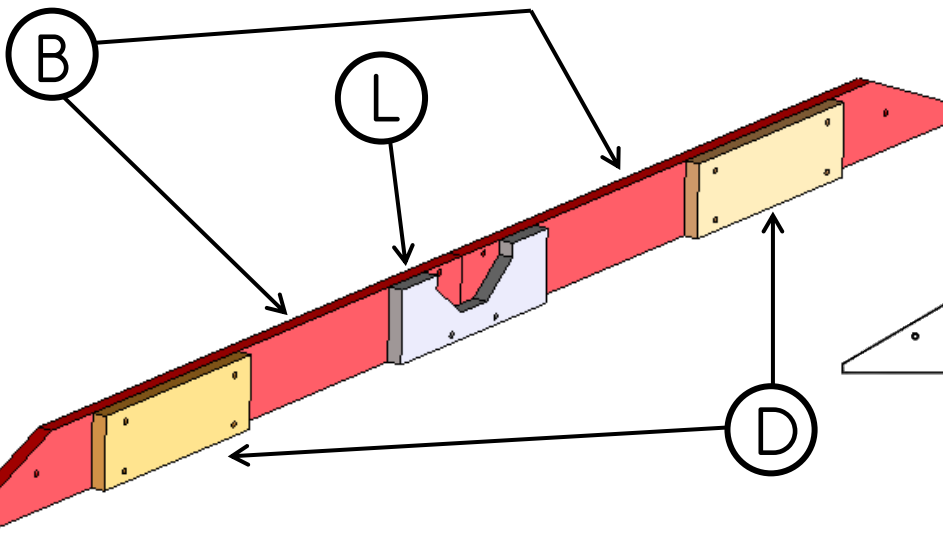
Use construction adhesive and supplied wood screws to assemble in the configuration shown. Apply construction adhesive to parts "D" and "L" avoiding areas near bolt holes. Insert bolts from back side (the side not visible in the figure below) to hold parts in position. Assemble as shown. Insert wood screws "Y" from back side as indicated by the diagram to the right. Remove bolts once screws are in place.

IMPORTANT: Parts "B" and "J" exist in two forms. The *center* A-frames of this pergola require parts "B" and "J" with pre-drilled screw holes at one end of each beam used to fasten the center section to the ledger beam assembly. Make sure the screw holes are facing outward when assembling the center A-frame in step 6.



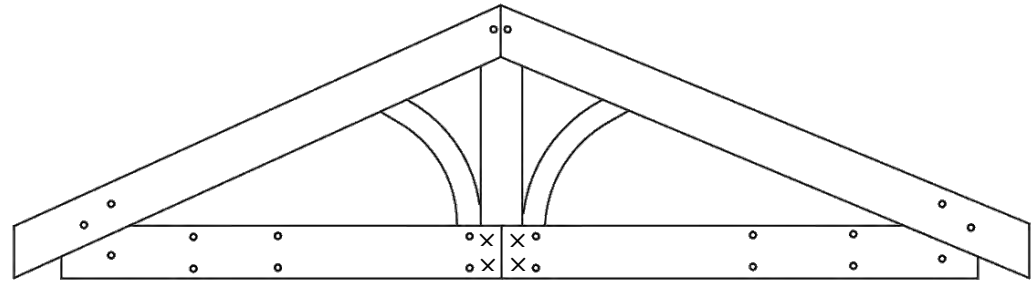
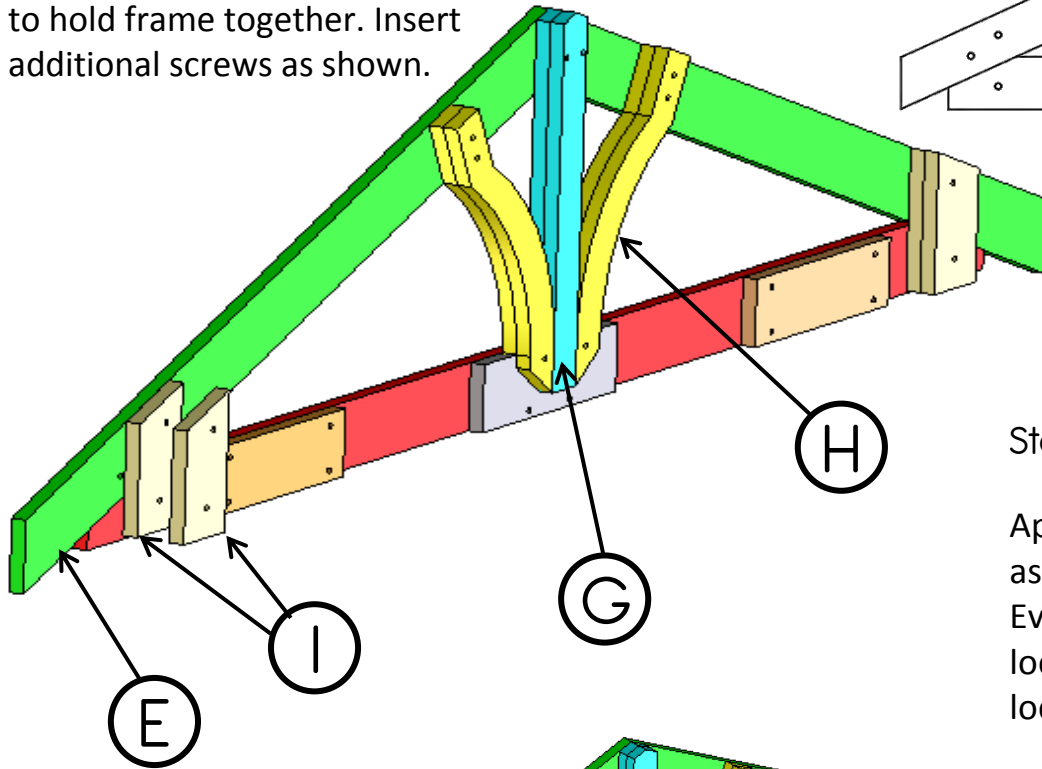
Step 2:

Repeat the process from step 1 on parts "D", "L", and "B." Insert bolts "U" from back side (leave hole at each end empty for now).



Step 3:

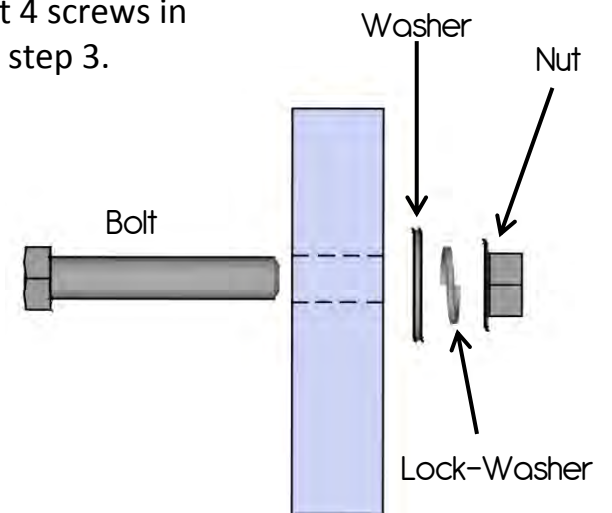
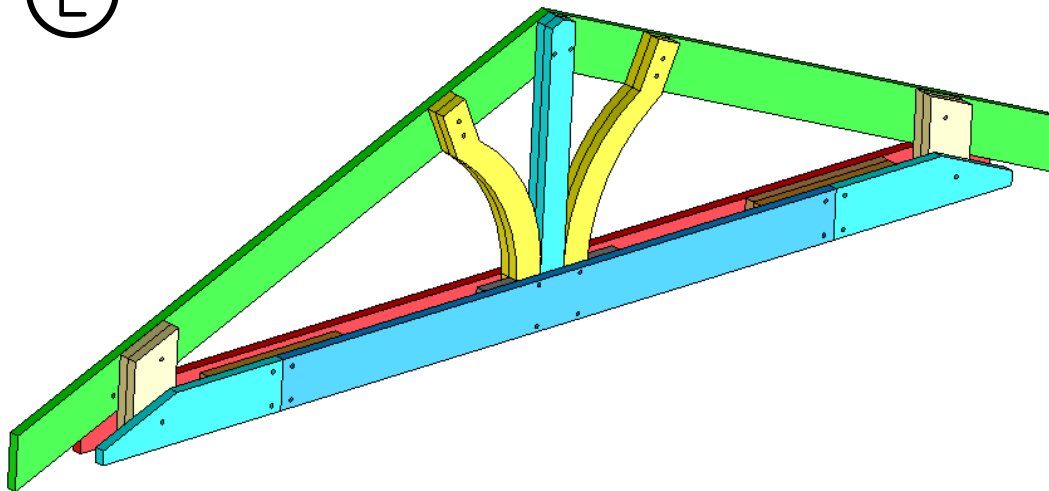
Assemble as shown. Insert bolts "U" from back side as necessary to hold frame together. Insert additional screws as shown.



Screw diagram 3

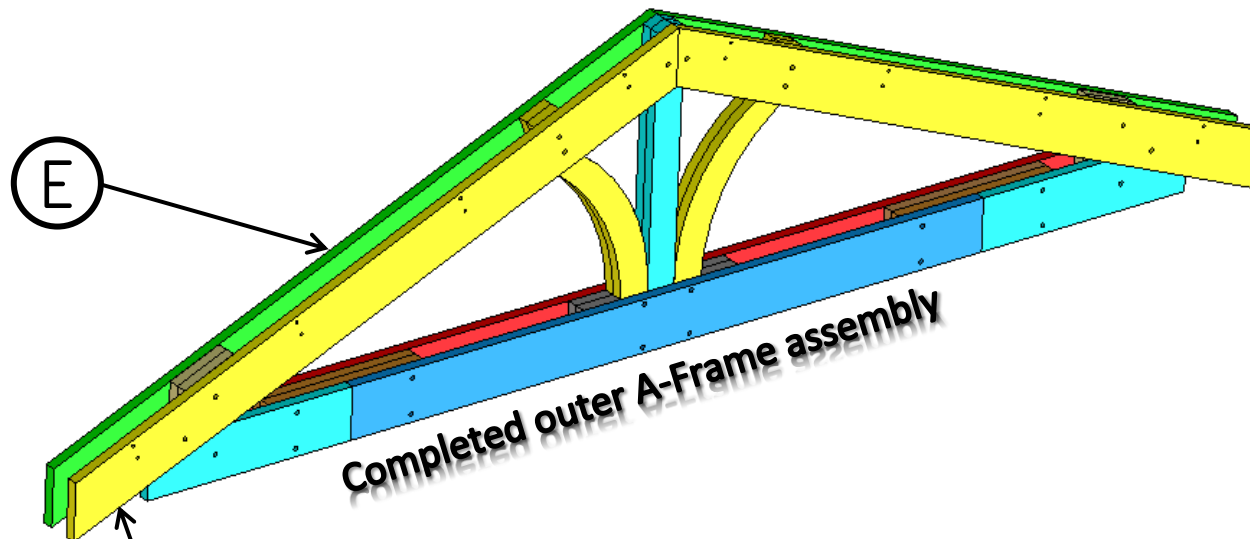
Step 4:

Apply adhesive and bolt assembly from step 1 as shown. Every bolt requires a washer and lock washer. Insert 4 screws in locations shown in step 3.



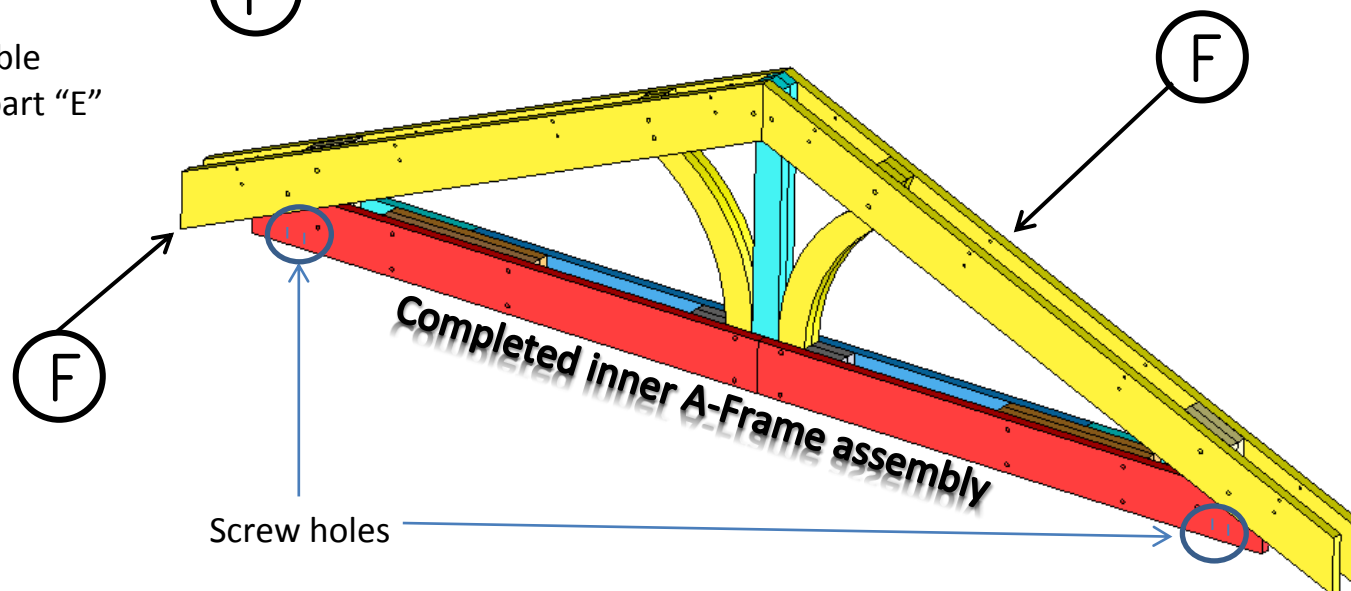
Step 5:

Bolt beams "F" into place as shown. This completes assembly of the first outside A-frame. Repeat steps 1-4 to assemble the second outside A-frame. (Note: Center A-frame requires different parts)



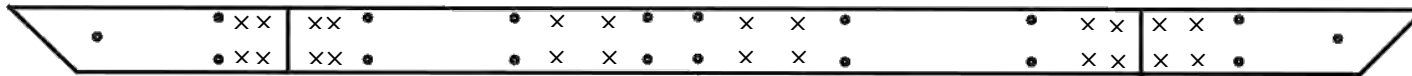
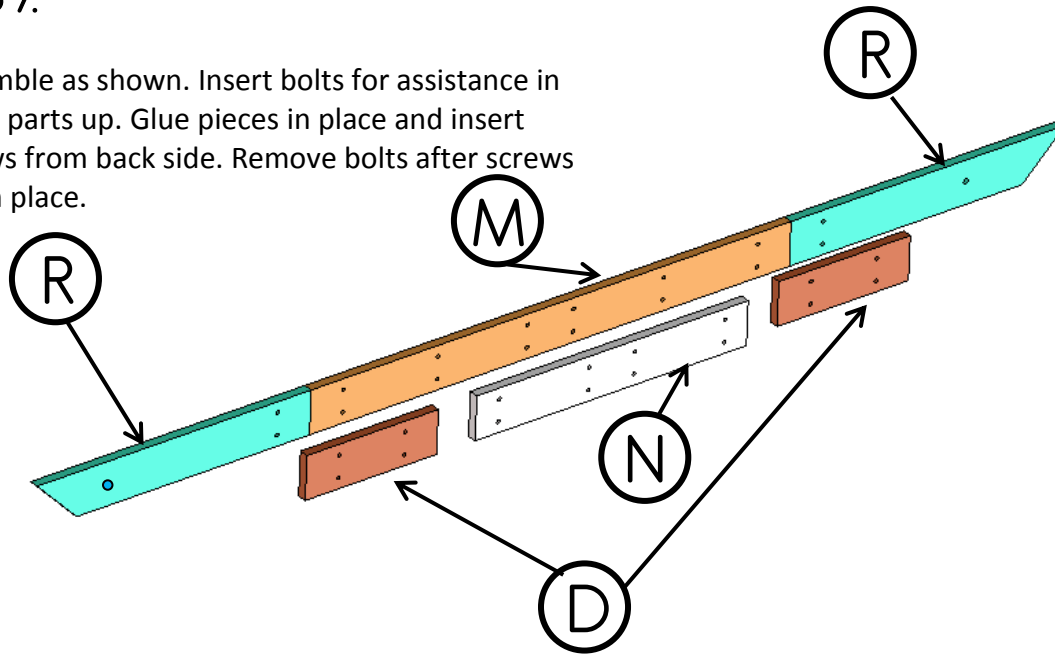
Step 6:

Repeat steps 1-5 to assemble center A-frame replacing part "E" with part "F" as shown.



Step 7:

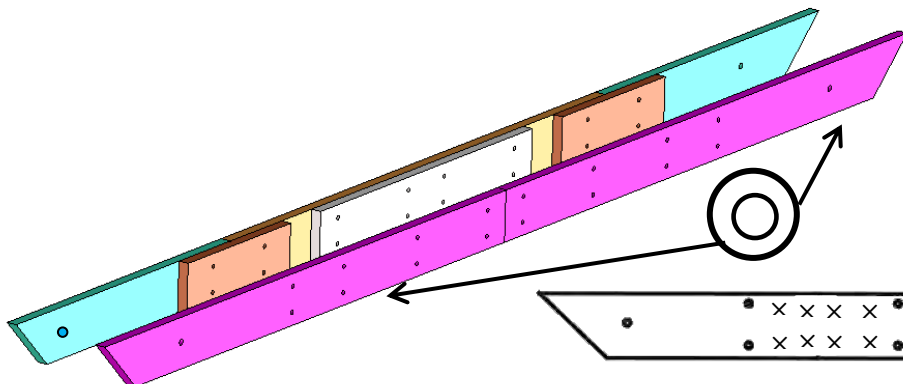
Assemble as shown. Insert bolts for assistance in lining parts up. Glue pieces in place and insert screws from back side. Remove bolts after screws are in place.



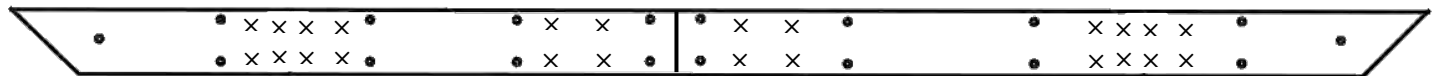
Screw diagram 4

Step 8:

Apply adhesive to parts “D” and “N”. Assemble as shown. Insert bolts from *front* side, add washer, lock-washer, and nut. Tighten all bolts. Insert screws from front side as shown. Do not bolt ends. Repeat steps 7 and 8 for second ledger beam.

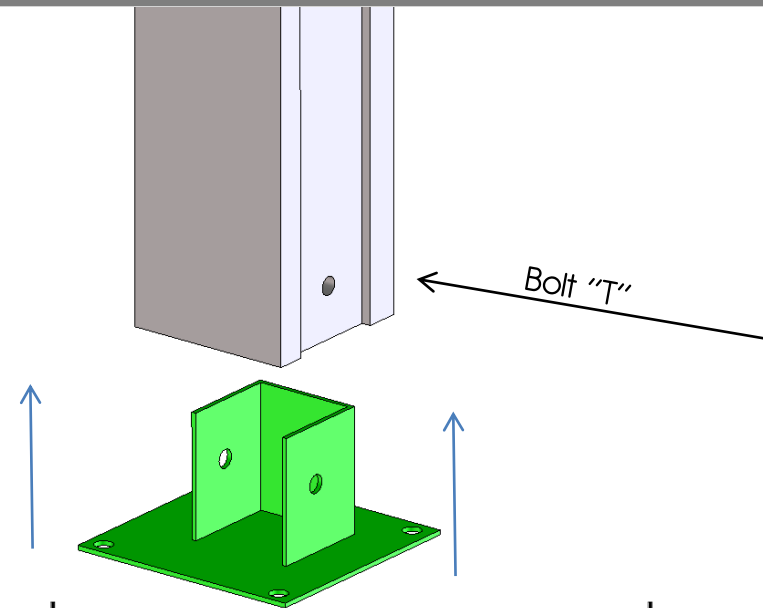


Screw diagram 5

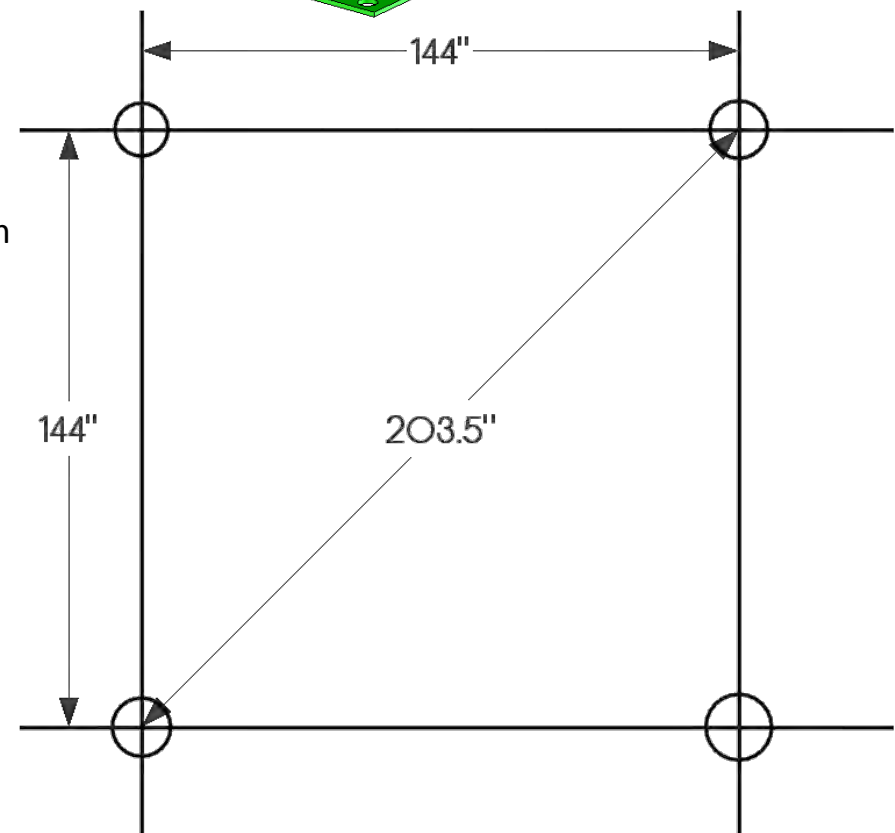


Step 9:

Insert feet into column "A" base and fasten with bolt "T" making sure to use a washer, and lock-washer. If feet fit tightly, a rubber mallet may be used to force beams into place. Tighten securely and repeat for the three remaining

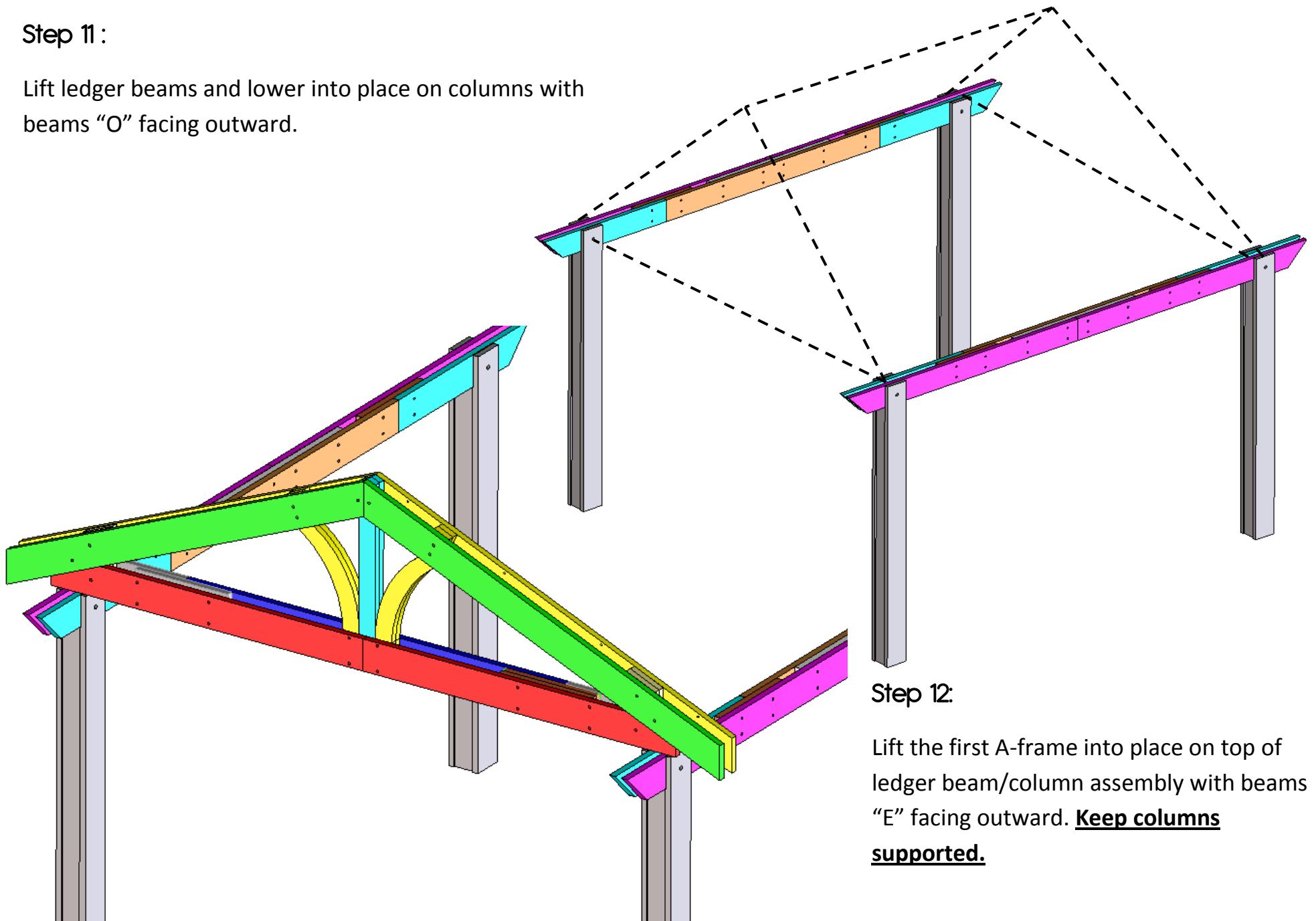
**Step 10:**

Stand columns up on footings or surface to be mounted to in approximate final positions given by the center-to-center distances shown at right. Columns feature a decorative engraving on one side, so be sure to keep this in mind while orienting columns. **Ensure columns are adequately supported until at least A-frame sections are bolted in place.**



Step 11:

Lift ledger beams and lower into place on columns with beams “O” facing outward.



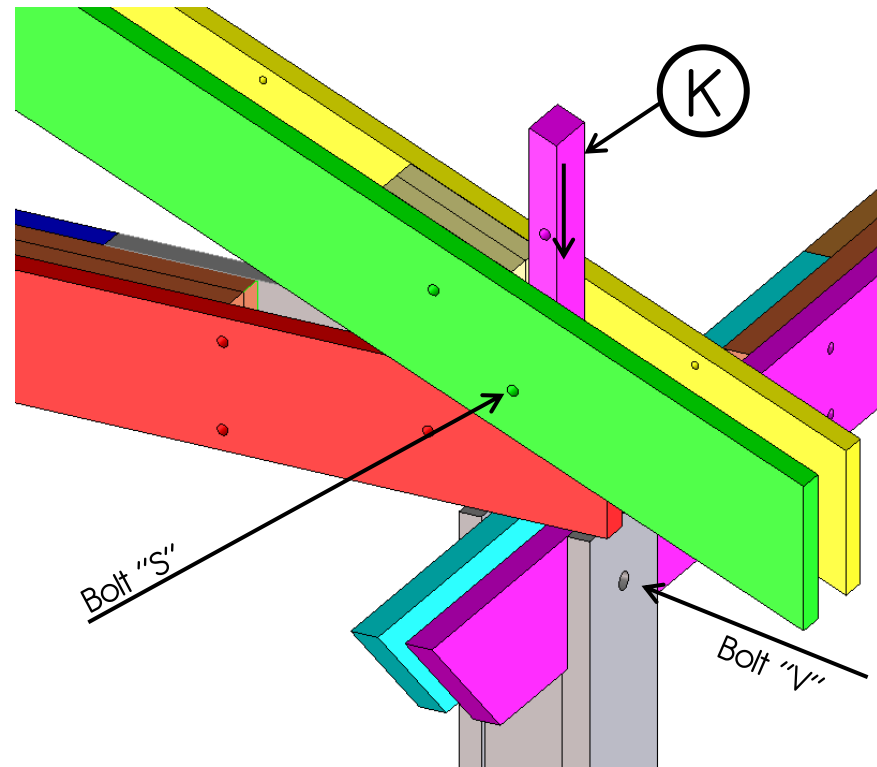
Step 12:

Lift the first A-frame into place on top of ledger beam/column assembly with beams “E” facing outward. **Keep columns supported.**

Step 13:

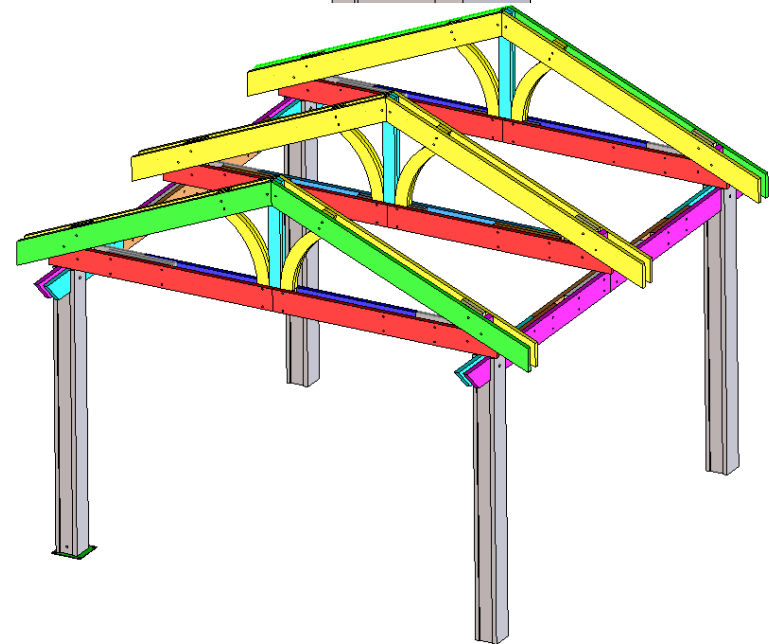
Insert part “K” into end of A-frame.

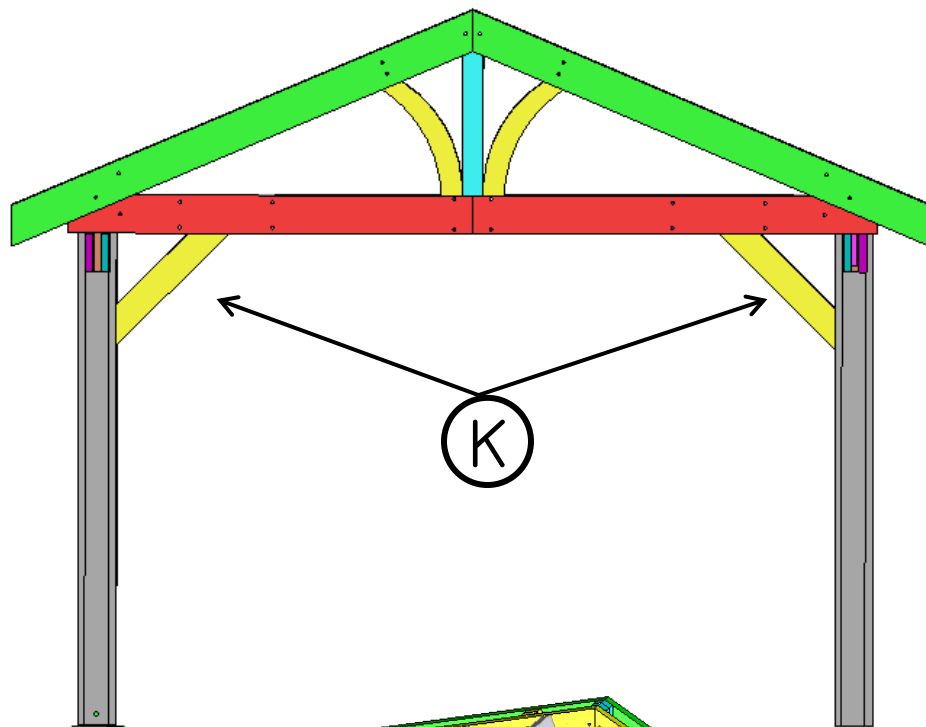
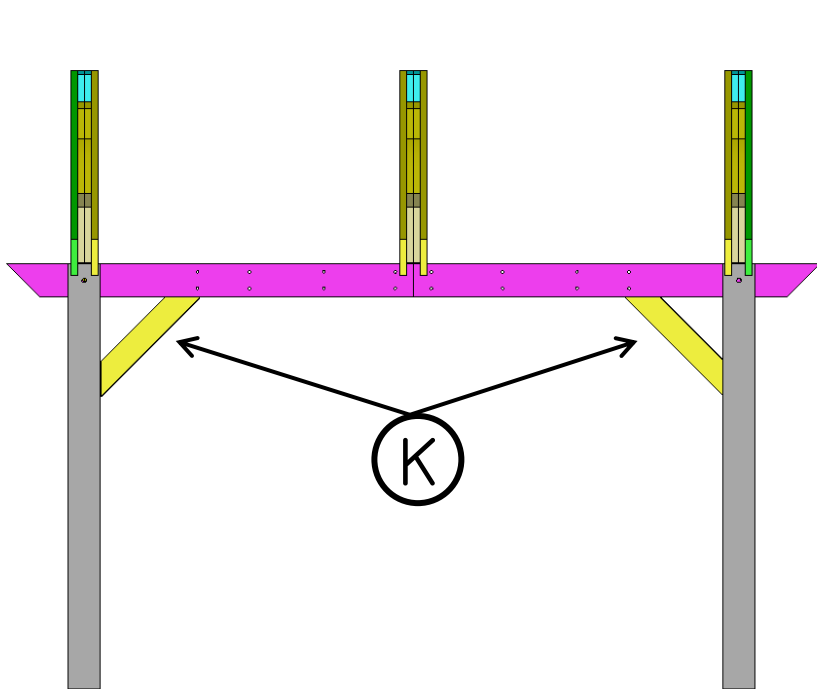
A rubber mallet may be required if it does not slide in easily. Slide downward until both holes line up. Insert bolts “S” and “V” as indicated with washers and lock-washers. Tighten securely.

**Step 14:**

Lift center A-frame into place. This is the frame assembled in Step 6. Ensure frame is centered and pergola is squared before fastening to ledger beams with wood screws “Y.”

Repeat steps 11-13 to complete installation of A-frames.





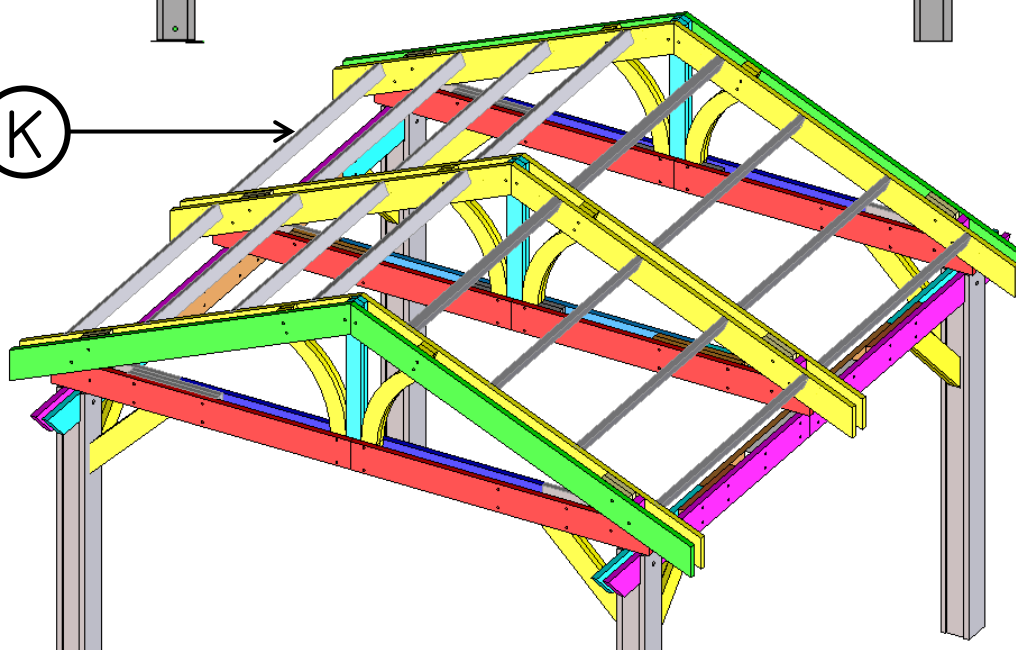
Step 15:

Attach Corbels “Q” to each corner as shown using hex-head screws “X”



Step 16:

Insert crossbeams “P” and fasten through pre-drilled holes with lag bolts “W.” Tighten.

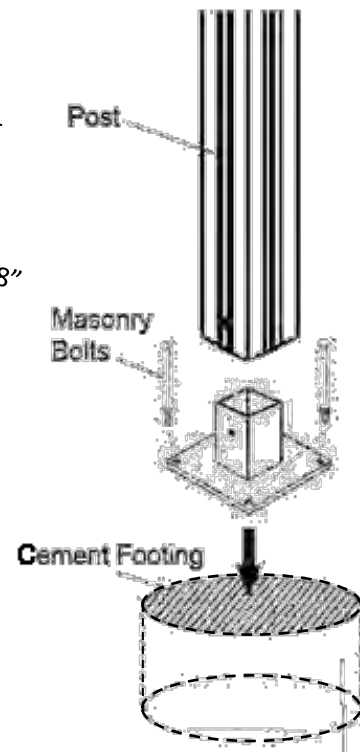
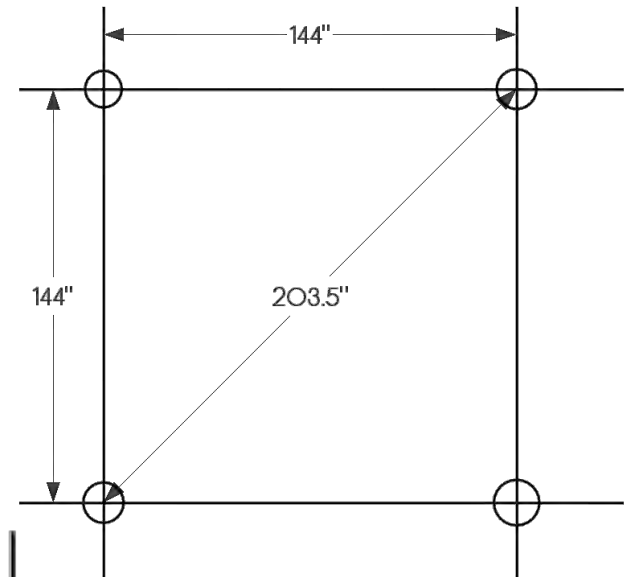
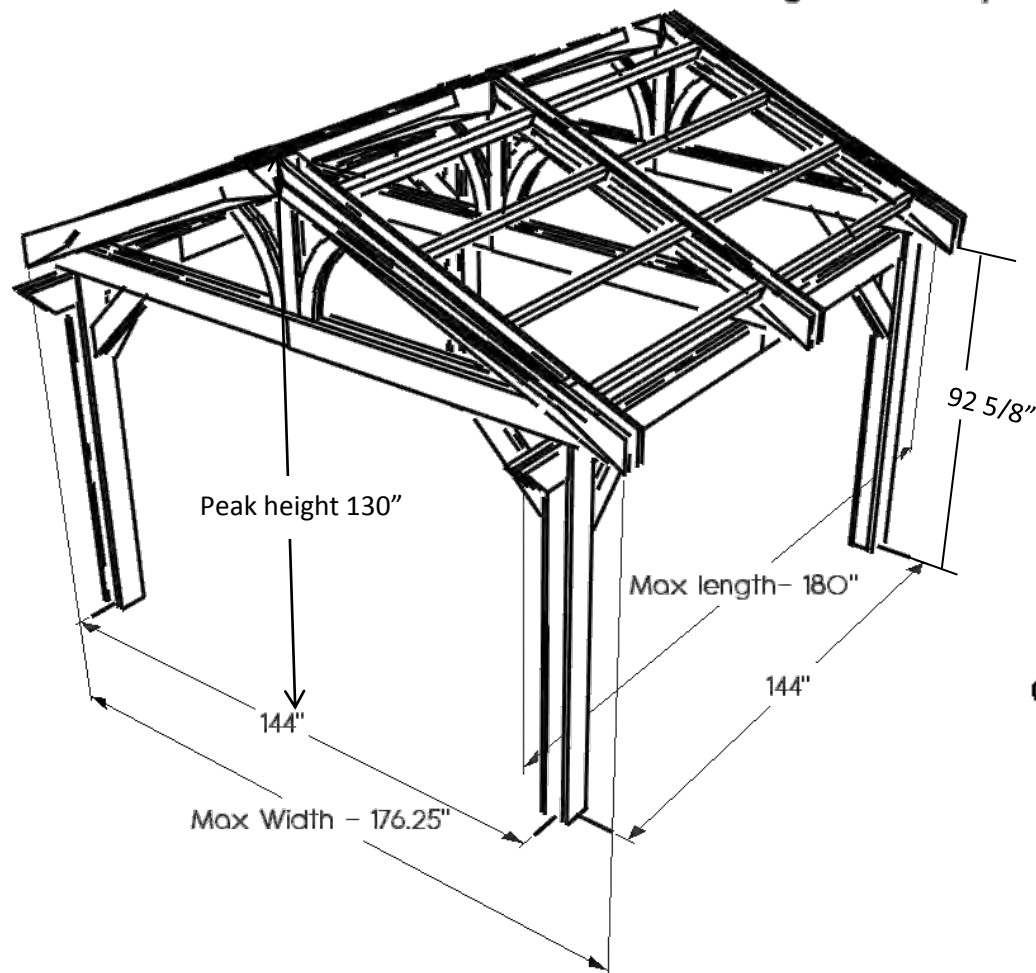


NOTE 1:

Recommended 12-18" DIA footing (12" minimum). Check local codes for depth minimums. Footing typically 24" minimum depth, 42" for extreme cold climates.

NOTE 2:

Do not do final tightening of all bolts until unit is fully assembled, level and square. After Pergola is **IN POSITION, SQUARED UP, & LEVELED**, anchor posts with masonry bolts through steel footplates.



(Suggested for installation on lawns. For other surfaces, appropriate mounting methods should be used.)

Depth of Masonry Footing Varies by Local Code & Conditions

If you purchased an optional steel roof system for your Lodge II , use the instructions in this section to assemble your roof.

Included in your roof kit:

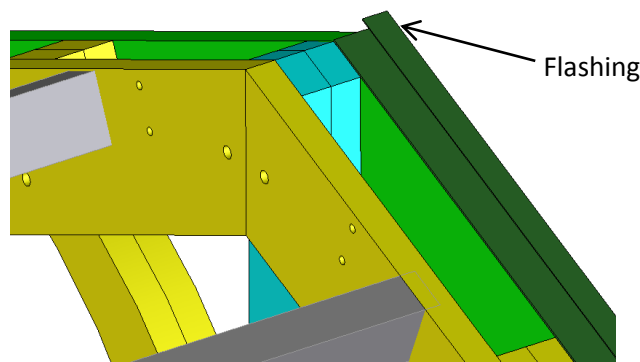
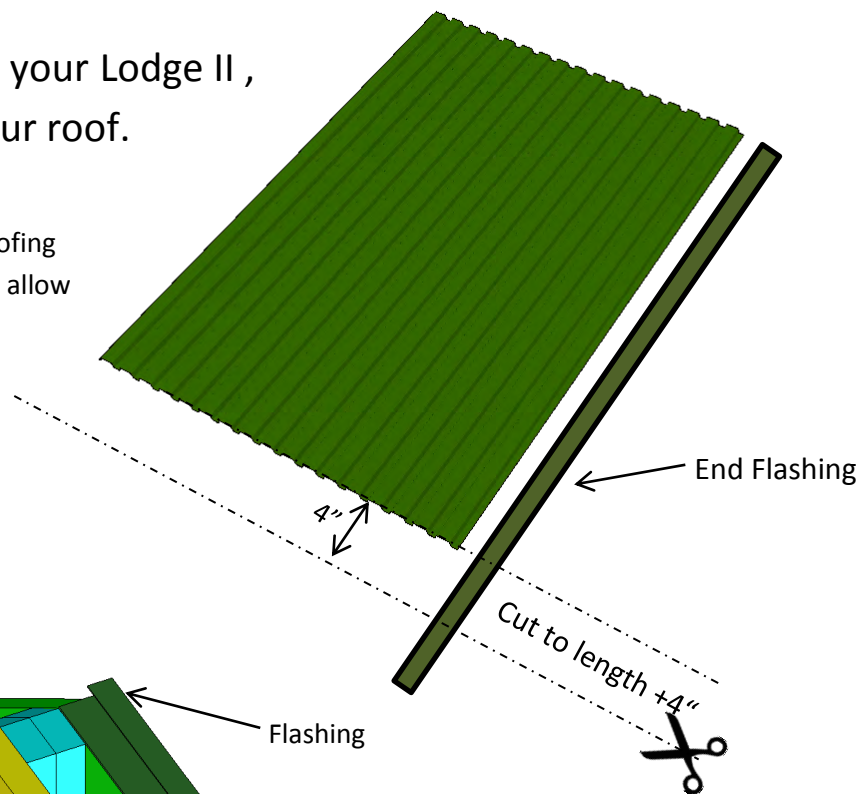
- 9 Roof Panels
- Small roof screws
- End cap
- Ridge Flashing

Required Tools (not included) :

- Power drill
- Tape measure
- Level
- ¼ " hex socket
- Electric or pneumatic metal shears

Step 1:

Cut end flashings to the length of roofing panels plus an additional 4 inches to allow for overhang.



Step 2 :

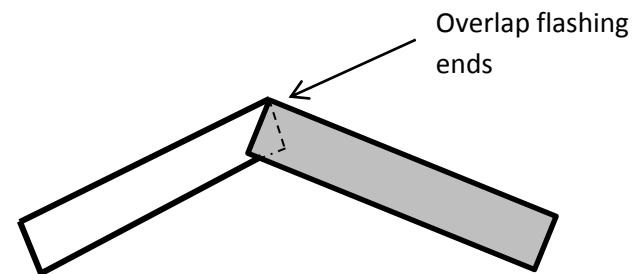
Using supplied screws, fasten end flashing to roof frame with front edge flush with front of A-frame as shown. Overlap ends to form a continuous peak.

Step 3 :

Lay roof panels on pergola structure, grooves in the direction of the slope of the roof, leaving peak exposed and panel ends flush with end of ridge flashing, overlapping as necessary (do not leave gaps between panels). 4 ½ panels will be required for each side. One panel should be cut to size and used for both sides of the roof. Once panels have been cut to fit, ensure they are even and level, mark stud locations and attach to frame with supplied screws.

Step 4 :

Cut ridge flashing to desired length (2" overhang on each end suggested) , Lay on top of pergola and fasten to roof with supplied screws.





Lodge II Pergola Warranty Information

Your new Lodge II pergola is warranted against structural defects for a period of three (3) years from the date of purchase. This does not apply to damage caused by excessive loads such as snow or use of roof as storage. Your Lodge II pergola is warranted against defects in finish and other defects not related to structure for a period of one (1) year from the date of purchase. All metal hardware must be sprayed with a clear lacquer sealer once your pergola is assembled to prevent rust and corrosion.

The Outdoor Greatroom Company extends the following warranty for Outdoor Greatroom outdoor products used in the United States of America or Canada. Dealers and employees of The Outdoor Greatroom Company have no authority to make any warranty or authorize any remedies in addition to or inconsistent with the terms of this warranty. This warranty gives you specific legal rights. You may also have other rights that vary from state to state.

The Outdoor Greatroom Company warrants that this Outdoor Greatroom Outdoor Product (the "Product") will be free from defects in material and workmanship for a period of one (1) year for finish and other non-structural defects and three (3) years from its date of purchase structurally. This warranty is subject to the conditions, exclusions and limitations described below.

This warranty applies only to the original owner of the Product and is non-transferable. The Outdoor Greatroom Company obligation under this warranty does not extend to damages resulting from (1) assembly, operation or maintenance of the Product not in accordance with the Installation/Assembly Instructions, Operating Instructions and the Listing Agency Identification Label furnished with the Product; (2) installation or use which does not comply with local building codes and ordinances; (3) shipping, improper handling, improper operation, abuse, misuse, accident or unworkmanlike repairs; (4) use of fuels other than those specified in the Operating Instructions; (5) Installation or use of components not supplied with the Product or any other components not expressly authorized and approved in writing by The Outdoor Greatroom Company; and/or (6) modification of the Product not expressly authorized and approved in writing by The Outdoor Greatroom Company. Any of the circumstances described in the previous sentence voids this warranty. This warranty is void if the Product or any component has been removed, repaired, or replaced before The Outdoor Greatroom Company has been afforded a reasonable opportunity to inspect the Product.

This warranty is limited to the replacement or repair of defective components or workmanship and The Outdoor Greatroom Company may fully discharge its obligations under this warranty by repairing or replacing, at its discretion, the defective components. The Outdoor Greatroom Company will provide replacement parts at no charge and will pay reasonable and necessary labor and freight costs related to replacing or repairing defective components under this warranty. The maximum amount recoverable under this warranty is limited to the purchase price of the Product and, if The Outdoor Greatroom Company is unable to provide replacement or repair in an expedient and cost-effective manner, The Outdoor Greatroom Company may discharge all obligations under this warranty by refunding the purchase price of the Product.

EXCEPT TO THE EXTENT PROVIDED BY LAW, THE OUTDOOR GREATROOM COMPANY MAKES NO EXPRESS WARRANTIES OTHER THAN THE WARRANTY EXPRESSED HEREIN. THE DURATION OF ANY IMPLIED WARRANTY IS LIMITED TO THE DURATION OF THE WARRANTY SPECIFIED ABOVE. IN NO EVENT SHALL THE OUTDOOR GREATROOM COMPANY BE LIABLE FOR ANY INCIDENTAL OR CONSEQUENTIAL DAMAGES CAUSED BY DEFECTS IN THE PRODUCT. Some states do not allow limitations on how long an implied warranty lasts, or do not allow exclusion or limitation of incidental or consequential damages, so these limitations may not apply to you.

To obtain service under this warranty, you must:

Send written notice of the claimed condition to: The Outdoor Greatroom Company, 2015 Silver Bell Road, #195, Eagan, MN 55122.

Affirm that you are the original owner of the Product.

Provide The Outdoor Greatroom Company reasonable opportunity to investigate the claim, including reasonable opportunity to inspect the Product prior to any repair or replacement work and before the Product or any component of the Product has been removed.

Obtain The Outdoor Greatroom Company's consent to any warranty work before the work is done.