



TUSCANY ARCHED PERGOLA

Make your backyard an unforgettable place to relax

Now you can enjoy the beauty and elegance of a gorgeous arched pergola—right in your own backyard. Sturdy fiberglass beams are constructed with real architectural detail that adds beauty and style to your outdoor living room. Enjoy sitting out under a beautifully-crafted structure, and add more of *Fire Stone's* unique products to create an *Outdoor GreatRoom™* today.

Tuscany Arched Pergola Features

- Comes ready to assemble with stainless steel hardware and ground mounting system
- 10' x 10' base, 12' x 12' at top
- Constructed of 100% fiberglass
- Beautiful arched design
- Finished with UV inhibiting paint
- Unit can be painted
- Unit comes with 4 columns, 2 arched support beams, and 5 overhead cross beams
- 1-year structural warranty; 1-year exterior finish

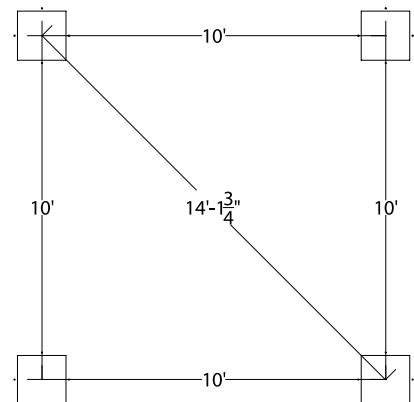


NOTE: Printing color may vary slightly from actual product.

Tuscany Arched 10 Pergola

MODEL	HEIGHT	WIDTH	DEPTH	WEIGHT
TUSCANY ARCH10	108.25"	150"	150"	337 LBS
INSIDE BEAM-TO-BEAM		117"		
INSIDE COLUMN-TO-COLUMN		107"		
COLUMN COLUMN DIAMETER - 10" COLUMN BASE AT WIDTH - 13"	83.75"			

NOTE: Pergolas must be anchored to footings, deck or patio slab.



Dimensions above are in inches. Reference dimensions only. We recommend measuring individual units at installation. Refer to installation manual for detailed specifications on installing this product.



12400 Portland Ave South • Suite 195 • Burnsville, MN 55337

Toll Free: 1-866-303-4028 • Fax: 952-358-7414

Sales@OutdoorGreatrooms.com • OutdoorGreatrooms.com