

# CAMPFIRE SERIES

## SIERRA FIRE PIT

A beautiful place to gather

The Sierra Firepit offers rugged charm and sophisticated technology. Constructed of Stacked Stone and a Super Cast Top, it is the ideal combination of style and function. Enjoy gathering around the fire with family and friends.



NOTE: Printing color may vary slightly from actual product.

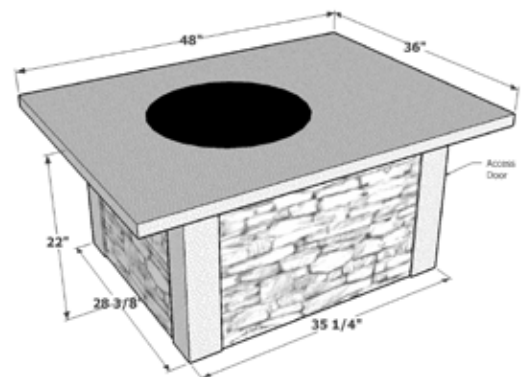
### Sierra Firepit Features

- Polyurethane foam stackstone
- Realistic look – Outdoor Proven
- Supercast Top–Stone-look sealer
- Optional glass cover for crystal fire pit
- FDA approved top seal for easy spill clean up
- LP tank stored inside surround
- Crystal Fire produces 60,000 BTUs
- Option to replace burning unit with ice bucket
- Gas on/off valve
- Ignitor conveniently located on side of surround
- Available in LP or NG fuels
- 1 year warranty

### Sierra Fire Pit Specifications

DESCRIPTION	MODEL	HEIGHT	WIDTH	DEPTH	WEIGHT
Sierra Fire Pit with ledger stone and supercast top (need CF-20-LP to complete)	SIERRA-CF	22"	48"	36"	150 lbs

\* See price list or website for all available surround options.



Dimensions above are in inches. Reference dimensions only. We recommend measuring individual units at installation. Refer to installation manual for detailed specifications on installing this product.



The Outdoor GreatRoom Company™

www.FireStoneHP.com • 1.866.303.4028