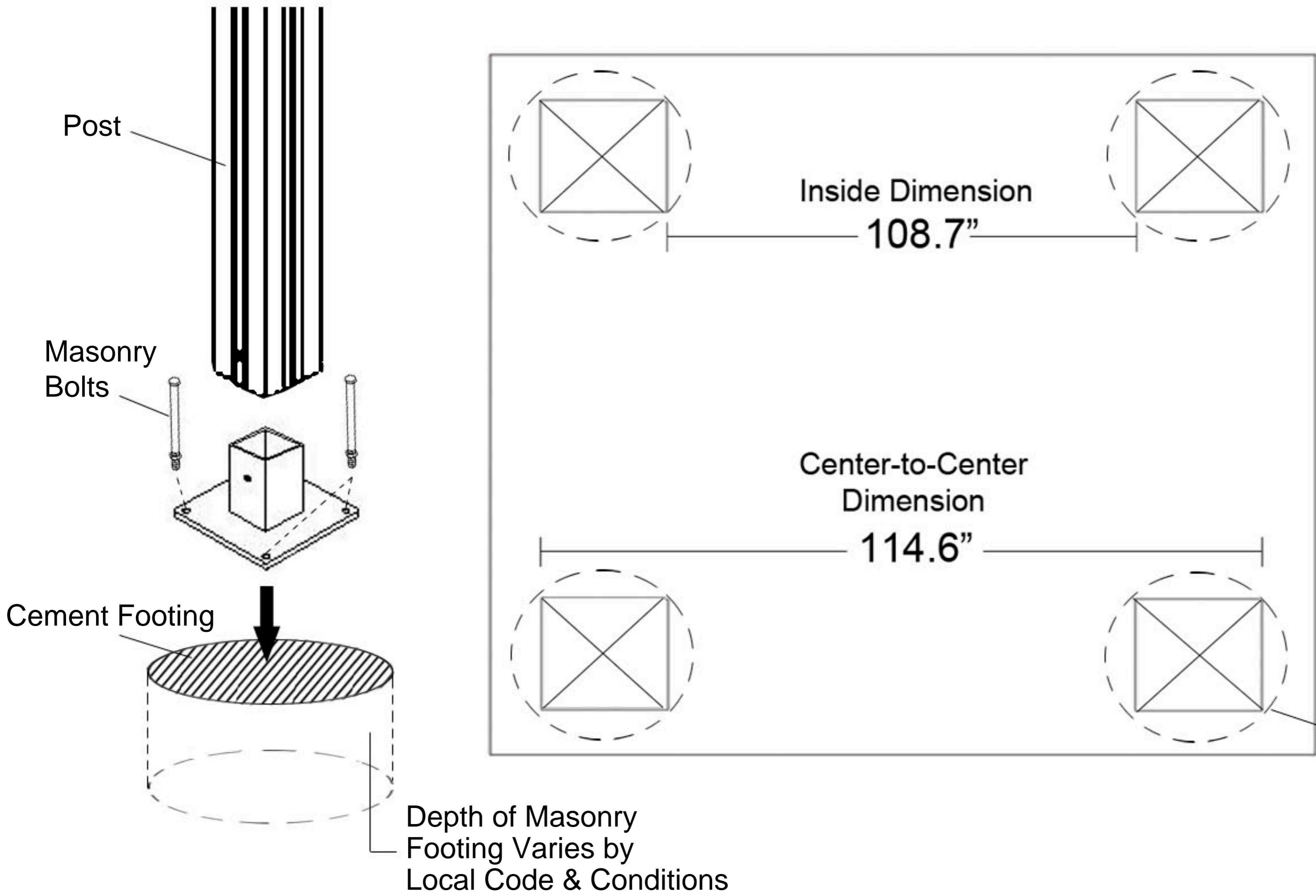


ASSEMBLY INSTRUCTION FOR 10' x 10' PERGOLA

Dimensions to Locate Footings For 10' x 10' Pergola :

(Suggested for installation on lawns. Not required for lumber deck or masonry surface)



NOTE 1:

Recommend 12" DIA minimum footing. Check local codes for depth minimums. Footing typically 24" minimum depth/42" for extreme cold climates.

NOTE 2:

Do not do final tightening of all bolts until unit is fully assembled, level and square. After Pergola is **IN POSITION & SQUARED UP**, anchor posts with masonry bolts through steel footplates.