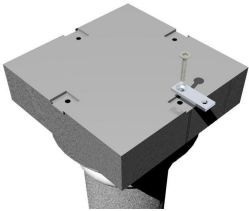

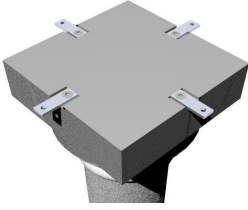


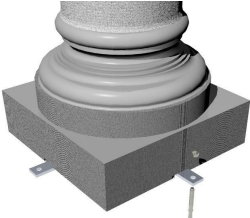

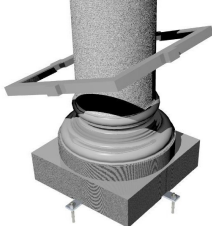
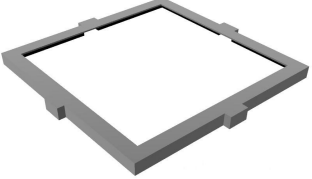
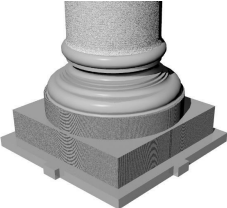


Cape Cod Pergola - Installation Manual

This fine product has been carefully manufactured and will provide you with many years of carefree service. Please follow these instructions in the steps shown. Most importantly, DO NOT fully tighten any bolts or screws until instructed to do so. The Pergola must remain somewhat flexible until all parts have been loosely bolted into place. **Make sure the columns are properly anchored to the ground.**



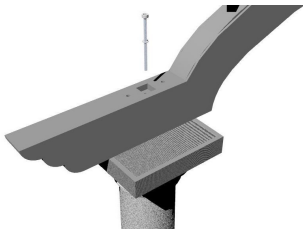



Step	Description	Installation	Part Name
1	Fix mounting Stainless Steel base brackets to 4 columns with allen screws as shown in the picture.	 <p data-bbox="995 1024 1241 1052">Fixing of Base Bracket</p>	 <p data-bbox="1499 1024 1797 1052">Base Bracket / Allen Screw</p>
2	Now all 4 base brackets are in place.	 <p data-bbox="1241 1305 1551 1326">All 4 Base Bracket are place</p>	

Cape Cod Pergola - Installation Manual

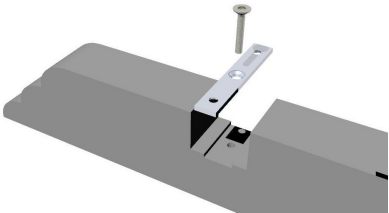

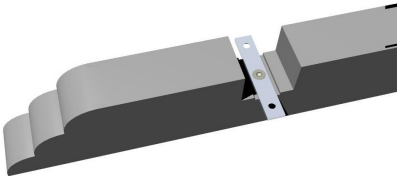
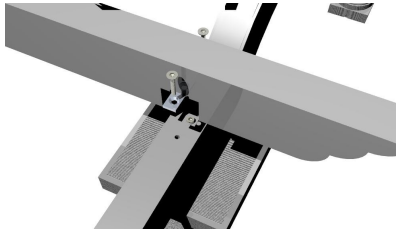
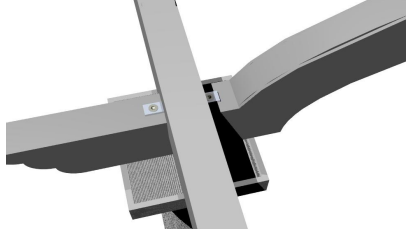
<p>3</p>	<p>Place columns on desired location, do not anchor until the very end of installation.</p>		
		<p>Fixing of Column with Anchor Bolt</p>	<p>Anchor Bolt</p>
<p>4</p>	<p>Insert base trim over the column to hide the anchor bolts. This protects your toes while walking bear footed near the Pergola.</p>		
		<p>Insert Column Base Trim</p>	<p>Column Base Trim</p>
<p>5</p>	<p>Base Trim is installed. Glue or silicone can be applied to secure it.</p>		
		<p>Base Trim is installed</p>	



Cape Cod Pergola - Installation Manual

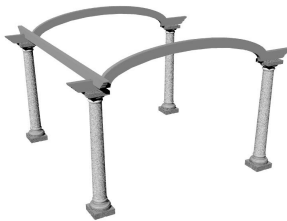

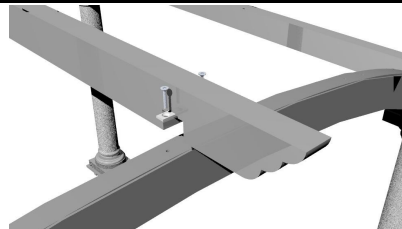
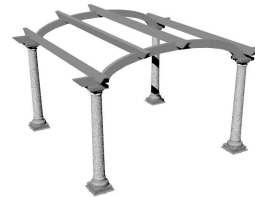

6	Install all 4 Columns		
		4 Columns are installed	Column
7	Install main Rafter with the help of long allen Bolts provided with the kit.		
		Insert Allen Bolt	Allen Bolt
8	Install other side of the rafter, same as above.		
		Main Rafter is installed	

Cape Cod Pergola - Installation Manual

<p>9</p>	<p>Fix metal bracket to the rafter with the help of allen screws. Prepare all 5 rafters in similar manner.</p>		
<p>10 Rafters are ready for assembly.</p>			
<p>11 Fix rafter on to the main curved rafter..</p>			
		<p>Fixing of Rafter on to the main Rafter</p>	<p>Rafter is installed</p>

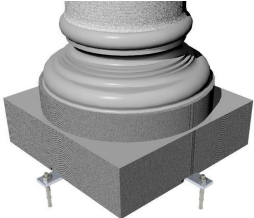


Cape Cod Pergola - Installation Manual

12	Fix second rafter on to the main rafter.		
		First Rafter is installed	Second Rafter is installed
13	Fix third, fourth and the fifth rafter on to the main rafter.		
		Third Rafter is installed	Fourth and Fifth Rafter is installed
14	Tighten all screws and Pergola is ready to use.		
		Ready Pergola	



Cape Cod Pergola - Installation Manual

15	<u>Make sure the columns are anchored to the ground properly using anchor bolts provided.</u>	 <p>All 4 Column are fixed with Anchor Bolt</p>
----	---	--

FOR QUESTION AND INFORMATION ON PRODUCT CONTACT:

The Outdoor Greatroom Company
2015 Silver Bell Road, Suite 195
Eagan, MN 55122
U.S.

OUR 800 NUMBER IS : 866-303-4028