



ST. JAMES OUTDOOR KITCHEN

BBQ and entertainment all in one!

The solid surface Supercast Top has an elegant radius and full bullnose finish. The base comes standard with Ameristone stucco finish with an upgrade option to our Sandstone Slate finish. The bar height seating offers comfortable space for 3. Keep food and beverages cold with our refrigerator, and conveniently store items out of the way through the double access doors.

St. James Outdoor Kitchen Features

- Standard finish in Mocha Supercast Top and Tan Ameristone Stucco
- Order with either the 24" Stainless Steel or Black Porcelain Cook Number Grill
- Includes Danby Refrigerator
- 27" Stainless Steel Double Access Door
- Upgraded finishes include Sandstone Slate Stucco and Glass Tile Backslash

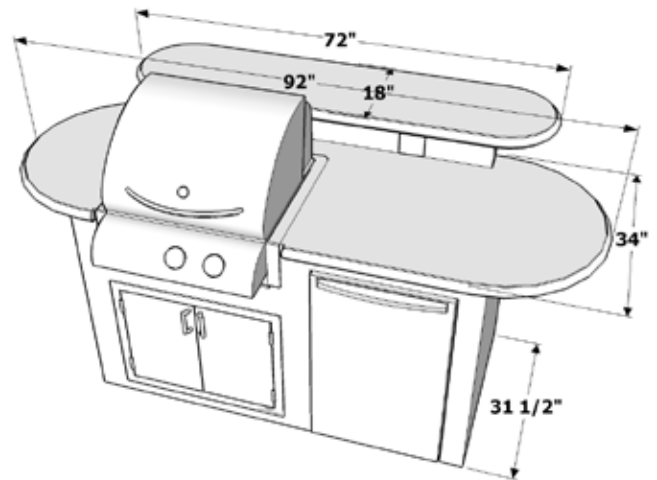


NOTE: Printing color may vary slightly from actual product.

- Manufactured using marine-grade galvanized steel framing and fiber cement board
- Optional glass tile backsplash or surround for Inspiration Fireplace
- Inspiration Fireplace sold separately

St. James Outdoor Kitchen Specifications

MODEL	COUNTER HEIGHT	BAR HEIGHT	BASE WIDTH	COUNTER TOP WIDTH	BAR TOP WIDTH	DEPTH	NET WEIGHT
STJAMES	37"	43"	62"	92"	72"	31.5"	550 lbs



Dimensions above are in inches. Reference dimensions only. We recommend measuring individual units at installation. Refer to installation manual for detailed specifications on installing this product.



2015 Silver Bell Road • Suite 195 • Eagan, MN 55122

Toll Free: 1-866-303-4028 • Sales@OutdoorRooms.com
OutdoorRooms.com