

**⚠ DO NOT DISCARD!**

- PLEASE RETAIN THIS OWNER'S MANUAL FOR FUTURE REFERENCE.
- LEAVE THIS MANUAL WITH PARTY RESPONSIBLE FOR USE AND OPERATION.
- READ THIS MANUAL BEFORE INSTALLING OR OPERATING THIS APPLIANCE.
- IMPORTANT OPERATING AND MAINTENANCE INSTRUCTIONS INCLUDED.
- FOLLOW THESE INSTRUCTIONS CAREFULLY DURING THE INSTALLATION TO ENSURE MAXIMUM SAFETY AND BENEFIT.
- IF THE INFORMATION IN THESE INSTRUCTIONS IS NOT FOLLOWED EXACTLY, A FIRE OR EXPLOSION MAY RESULT CAUSING PROPERTY DAMAGE, PERSONAL INJURY, OR DEATH.

IDC DISCLAIMS ANY RESPONSIBILITY FOR, AND THE WARRANTY WILL BE VOIDED BY THE FOLLOWING ACTIONS:

- INSTALLATION AND USE OF ANY DAMAGED APPLIANCE
  - MODIFICATION OF THE APPLIANCE
  - INSTALLATION OTHER THAN AS INSTRUCTED BY IDC
  - INSTALLATION AND/OR USE OF ANY COMPONENT PART NOT APPROVED BY IDC
- ANY SUCH ACTION MAY CAUSE A FIRE HAZARD

**FOR YOUR SAFETY**

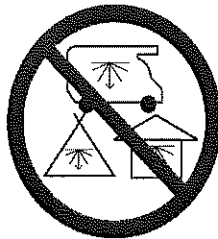
**If you smell gas:**

- 1. Do not attempt to light appliance.**
- 2. Extinguish any open flame.**
- 3. Disconnect from fuel supply.**

**FOR YOUR SAFETY**

**Do not store or use gasoline or other liquids with flammable vapours in the vicinity of this or any other appliance.**

**⚠ DANGER**



**CARBON MONOXIDE HAZARD**

This appliance can produce carbon monoxide which has no odor.

Using it in an enclosed space can kill you.

Never use this appliance in an enclosed space such as a camper, tent, car, or home.

**Listing & Code Approvals**

This product is listed to ANSI standards for "Portable Type Gas Camp Lights"

**B. BTU Specifications**

Model		Maximum Input BTUH	Orifice Size
N-C-507	US	1,500	78 DMS (0.4mm)

**Clearances**

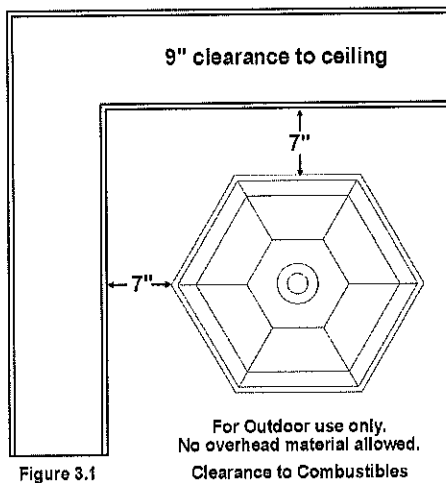



Figure 3.1

 **WARNING**  
**FIRE RISK**

- Provide adequate clearance to combustibles and for service access
- Locate and install appliance to all clearance specifications in manual
- Locate appliance away from traffic areas
- Improper installation, adjustment, alteration, service, or maintenance can cause injury or property damage.
- Refer to the owner's information manual provided with this appliance.
- For assistance or additional information consult a qualified installer, service agency or the gas supplier.

When planning an appliance installation, it is necessary to determine the following information before installing:

**A. Design and Installation Considerations**

- Check building codes prior to installation
- Installation **MUST** comply with local, regional, state, and national codes and regulations
- Consult local building, fire officials, or authorities having jurisdiction about restrictions, installation inspection, and permits

**B. Selecting Appliance Location**

- When selecting a location for your appliance it is important to consider the required clearances to walls and overhangs (see Figure 3.1)
- Illustrations reflect typical installations and are for design purposes only
- Illustrations/diagrams are not drawn to scale
- Actual installation may vary due to individual design preference

## Tools & Supplies Needed

Before beginning the installation be sure that the following tools and building supplies are available:

- Wrench
- Gloves
- Phillips screwdriver
- Electric drill and bits
- Safety glasses
- 1 lb. Propane cylinder (available at your local hardware store)



### WARNING

#### FIRE RISK

#### EXPLOSION RISK

- For your safety, DO NOT store or use gasoline or other flammable vapors and liquids in the vicinity of this or any other appliance.
- Check for gas leaks.
- Check all fittings and connections.  
Fittings and connections may have loosened during shipping and handling.
- DO NOT use open flame.
- DO NOT connect to a remote gas supply.
- After the gas line installation is complete, all connections must be tightened and checked for leaks with a commercially available, non-corrosive leak check solution. Be sure to rinse off all leak corrosion solution following testing.
- DO NOT use this appliance if any part has been under water. Immediately call a qualified service technician to inspect the appliance and to replace any part of the control system and any gas control which has been under water.

## Inspect Appliance and Components

Carefully remove the appliance and components from the packaging.  
Report to your dealer any parts damaged in shipment.

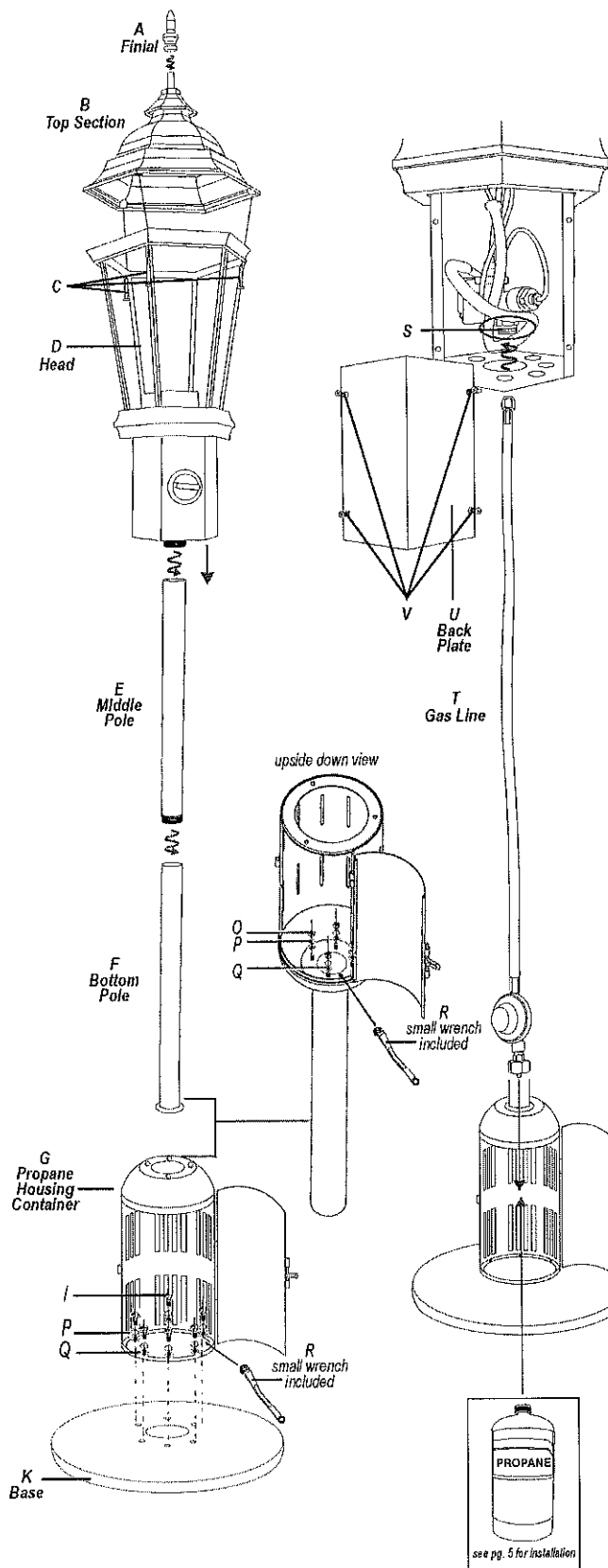
- Inspect appliance and components for damage. Damaged parts may impair safe operation.
- DO NOT install damaged components.
  - DO NOT install incomplete components.
  - DO NOT install substitute components.

**GAS LAMP**

## Parts enclosed

Parts Number	Description	Quantity	Parts Number	Description	Quantity
A	Finial	1	K	Base	1
B	Top Section	1	O	Nut	4
C	Screw	3	P	Lock Washer	10
D	Head	1	Q	Small Washer	10
E	Middle Pole	1	R	small wrench included	1
F	Bottom Pole	1	S	Valve Tie-in	1
G	Propane Housing Container	1	T	Gas Line	1
H	Cap	3	U	Back Plate	1
I	Screw	6	V	Screw	4

# GAS LAMP



## Assembly Instructions

1. Bottom Pole (Part F) with Propane Housing Container (Part G) 的安装。  
将Bottom Pole (Part F) 按图示与Propane Housing Container (Part G) 配合在一起, 然后按次序将各四个 (part Q), (part P), (part O) 套入Bottom Pole (Part F) 的四个螺杆菌上, 用small wrench included (part R) 分别拧紧。
2. Bottom Pole (Part F) 与Propane Housing Container (Part G) 安装好后与Base (Part K) 的安装。  
将安装好的Bottom Pole (Part F) 与Propane Housing Container (Part G) 放在base (Part K) 上并将六个孔位对准, 按次序将各六个 (Part P), (Part Q) 套入六个 (Part I) 上, 再将 (Part I) 对准孔位用small wrench included 拧紧。

此处需翻译成英文。

### ASSEMBLING PARTS F & G

- NOTE: For easier assembly, assemble parts upside down as pictured to the left.
3. Align the screws located on the Bottom Pole (Part F) with the holes on the Propane Housing Container (Part G) and slide (Part F) on top of (Part G). Place a Small Washer (Parts Q), a Lock Washer (Parts P), then a Nut (Parts O) on each of the screws inside of the Propane Housing Container (Part G). Tighten screws using the Small Wrench included (Part R) to secure.
  4. Flip the assembled (Parts F & G) right side up.

### INSTALLING THE GAS LINE

CAUTION: Inspect Gas Line (Part T) for holes or defects before installing. Installing a defective line/part causes gas leakage and can cause harmful, flammable damage.

5. Before installing the Gas Line (Part T), unscrew the 4 screws (Parts V) on the Back Plate (Part U) (located on the back side of the turn knob) and carefully place both aside.
6. Unlatch and open the Propane Housing Container (Part G) if not already opened.
7. Thread the Gas Line (Part T) through (Parts G, F).
8. Take the Middle Pole (Part E), thread Gas Line (Part T) through and attach the Middle Pole (Part E) to Bottom Pole (Part F) by inserting the male threaded end of (Part E) into the female threaded end of (Part F). Twist clockwise until secure.

### ATTACHING THE HEAD

9. With assisted help, attach the Head (Part D) onto the Assembled Pole (Parts E, F, G, & K). See below steps:

NOTE: If no assisted help is available, lay the entire pole down on flat surface for better assembly.

1. First, pull up the Gas Line (Part T) and thread it through the bottom of the Head (Part D).
2. Attach the Head (Part D) to Assembled Pole (Parts E, F, G, & K) by inserting the male threaded end of (Part D) into the female threaded end of (Part E). Carefully twist the Head (Part D) clockwise until secure.
3. Connect the Gas Line (Part T) to the Gas Valve by inserting the male threaded end of (Part T) into the female threaded end of (Part S). Twist clockwise until secure. Tighten with an appropriate sized wrench to avoid gas leakage.
4. Replace the Back Plate (Part U) with the 4 screws (Parts V) removed earlier in Step 12.

### INSTALLING THE TOP SECTION

10. Attach Finial (Part A) to the Top Section (Part B) by inserting the female threaded end of (Part A) into the male threaded end of (Part B). Twist clockwise until secure.
11. Align the holes on the Top Section (Part B) with the holes on the Head (Part D) and insert 3 Screws (Parts C) from bottom to top. Twist clockwise until secure.

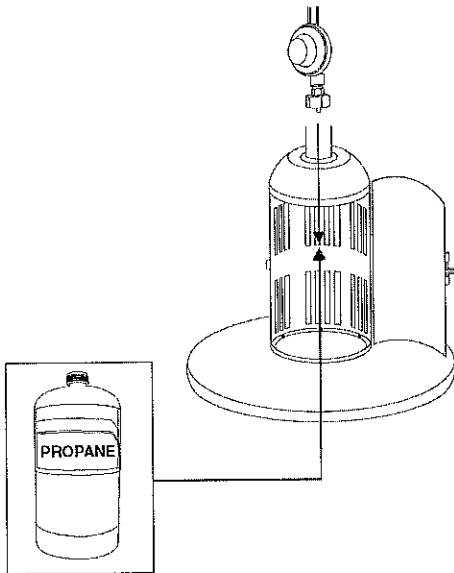
**Assembly Instructions (continued)****INSTALLING THE PROPANE CANISTER****DANGER  
FIRE & EXPLOSION RISK**

- Extremely flammable
- Contents under pressure
- Carbon monoxide hazard

CAREFULLY READ ALL PRECAUTIONS ON PROPANE CANISTER BEFORE INSTALLING 19. Connect the Propane Canister to Gas Line by inserting the end of Gas Line to the top of Propane Canister (as pictured) and twist clockwise to tighten. Tighten with a wrench to secure.

**WARNING  
FIRE RISK  
EXPLOSION RISK**

- For your safety, DO NOT store or use gasoline or other flammable vapors and liquids in the vicinity of this or any other appliance.
- Check for gas leaks.
- Check all fittings and connections. Fittings and connections may have loosened during shipping and handling.
- DO NOT use open flame.
- DO NOT connect to a remote gas supply.
- After the gas line installation is complete, all connections must be tightened and checked for leaks with a commercially available, non-corrosive leak check solution. Be sure to rinse off all leak corrosion solution following testing.
- DO NOT use this appliance if any part has been under water. Immediately call a qualified service technician to inspect the appliance and to replace any part of the control system and any gas control which has been under water.

**Operating Instructions****A. BEFORE LIGHTING APPLIANCE****FOR YOUR SAFETY READ BEFORE LIGHTING**

- WARNING:** If you do not follow these instructions exactly, a fire or explosion may result causing property damage, personal injury, or loss of life.
- A. This appliance is equipped with an automatic electrical starter device which automatically lights the burner. DO NOT try to light the burner by hand.
- B. BEFORE LIGHTING, smell all around the appliance area for gas. Be sure to smell next to the floor because some gas is heavier than air and will settle on the floor.
- C. DO NOT connect to a remote gas supply.
- D. Cylinder supply must be arranged for vapor withdrawal, with the cylinder connection above center of cylinder.
- E. Use 1 lb. propane cylinder only.
- F. The propane cylinder must be constructed and marked in accordance with the specifications for propane cylinders of the U.S. Department of Transportation or Transport Canada, CAN/CSA B339.
- G. Only cylinders marked with PROPANE fuel must be used.
- H. Cylinder must be disconnected when light is in storage.
- I. Do not use this appliance if any part has been under water. Immediately call a qualified service technician to inspect the appliance and to replace any part of the control system and any gas control which has been under water

**WHAT TO DO IF YOU SMELL GAS:**

- Do not try to light any appliance.
- Do not touch any electric switch; do not use any phone in your building
- Immediately call your gas supplier from a neighbor's phone. Follow the gas supplier's instructions
- If you cannot reach your gas supplier, call the fire department

**WARNING:**

- Improper installation, adjustment, alteration, service, or maintenance can cause injury or property damage.
- This appliance needs fresh air for safe operation and must be installed so there are provisions for adequate combustion and ventilation air.
- If not installed, operated, and maintained in accordance with the manufacturer's instructions, this product could expose you to substances in fuel or fuel combustion which are known to the State of California to cause cancer, birth defects, or other reproductive harm.
- Keep burner and control compartment clean.

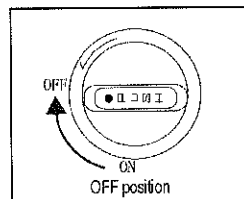
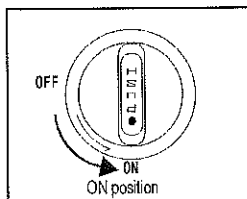
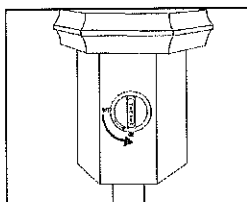
**CAUTION:**

- Hot while in operation. Do not touch. Keep children, clothing, furniture, gasoline, and other liquids having flammable vapors away.
- Do not operate the appliance with panel(s) removed, cracked, or broken. Replace panel(s) with supervised help or a qualified service person.

## Operating Instructions (continued)

### A. LIGHTING APPLIANCE

1. Push and turn the ON/OFF switch. DO NOT try to light the burner by hand.
2. Wait 5 minutes to clear out any gas. Then smell for gas, including near the floor. If you smell gas, STOP! Follow the steps to "WHAT TO DO IF YOU SMELL GAS" procedures in the previous page (pg. 5). If you don't smell gas, go to the next step.
3. To light the burner, push in and turn the whole ON/OFF switch counterclockwise to the "ON" position (as pictured below) and hold for 5 - 10 seconds then release. Retry a couple of times if it does not ignite the first time.
4. If the appliance will not operate, follow the instructions "TO TURN OFF GAS TO APPLIANCE" and call your service technician or gas supplier.



### B. TO TURN OFF GAS TO APPLIANCE

1. Turn ON/OFF switch to the "OFF" position. Push in and turn the whole knob clockwise to "OFF" position (as pictured above).

### C. AFTER APPLIANCE IS LIT

- Keep light area clear and free from combustible materials, gasoline, and other flammable vapors and liquids
- Do not obstruct the flow of combustion and ventilation
- Visually check the burner flame



#### **WARNING** FIRE & EXPLOSION HAZARD

- FIRE RISK
- HIGH TEMPERATURE

Keep combustible materials, gasoline, and other flammable vapors/liquids away from appliance

Keep furniture, draperies, etc. away from appliance

DO NOT obstruct combustion and ventilation of air

DO NOT place combustible items on top of or in front of appliance

DO NOT store flammable materials in the appliance's vicinity

DO NOT use gasoline, lantern fuel, kerosene, charcoal lighter fluid, or similar liquids in this appliance.

Combustible materials may ignite.

## Maintaining and Servicing Appliance

Although the frequency of appliance servicing and maintenance will depend on use and the type of installation, a qualified service technician should perform an appliance check-up at the beginning of each heating season.



#### **WARNING**

Risk of injury or property damage.

Before servicing:

- Turn off gas
- Ensure appliance is completely cooled



#### **CAUTION**

SHARP EDGES

Handle glass assembly with care.

- Wear protective gloves and safety glasses during cleaning process

#### When cleaning glass:

- Avoid striking, scratching, or slamming glass
- DO NOT use abrasive cleaners
- DO NOT clean glass when hot
- Turn off appliance after 3 - 4 hours of operation and allow to cool
- Remove and clean glass assembly
- Use a hard water deposit glass cleaner on white film