

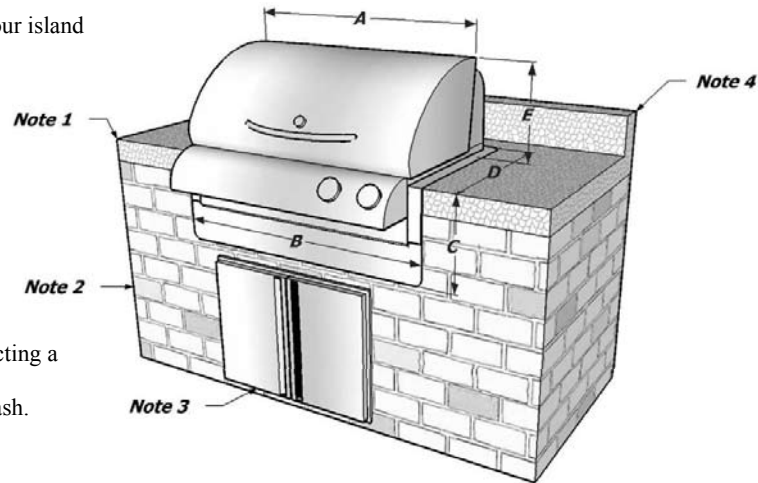
## 2009 GRILL ISLAND INSTALLATION DIMENSIONS

**NOTE:** Both installation kit and front filler are needed if using the below specifications.

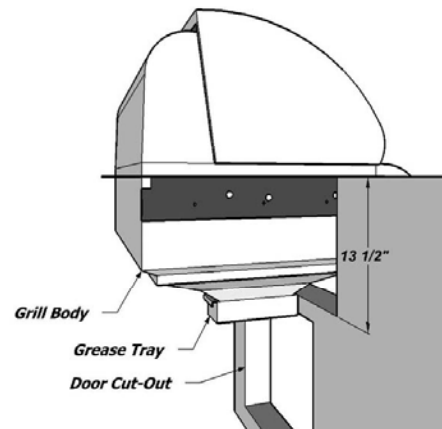
- Note 1— Counter height should not exceed 38". To determine your island height use the following formula.

Shroud Height	13-3/4"
Finished Door Height	20"
Material between Shroud and Top of Door	2-1/2"
Bottom of door to ground	1-1/2"
Total Height	37-3/4"

- Note 2— Overall finished wall thickness should not exceed 4".
- Note 3— When selecting a door consider the overall height. Selecting a door size that is too large may dictate a counter height undesirable.
- Note 4— 5" clearance from the cutout measurement to a backsplash.

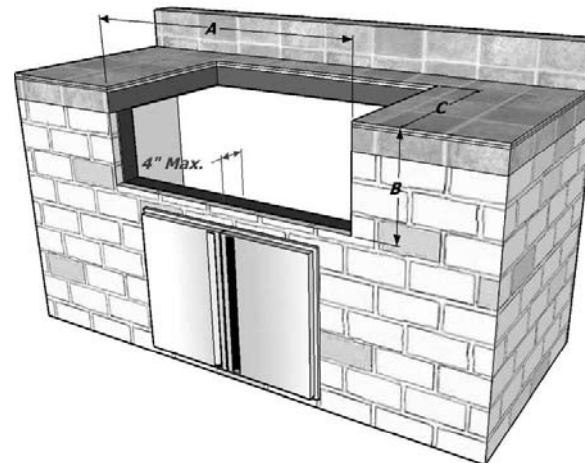


Approximate Grill Dimensions	Legacy 36"	Legacy 24"
A	36-7/8"	25-3/8"
B	39-3/4"	28-1/4"
C	13-3/4"	13-3/4"
D	24-1/4"	24-1/4"
E	14-1/4"	14-1/4"



### Planning for Grease Tray Access

- A wall thickness that exceeds 4" will interfere with the ability to slide the grease tray in fully.
- Your door should be positioned as high as possible to allow for easier access to the grease tray. Avoid any overlap between the door and grill shroud front.
- Grease tray should be reversed as shown in the picture.



Finished Framing Dimensions	Legacy 36"	Legacy 24"
A	36-1/2"	25-1/4"
B	13-1/2"	13-1/2"
C	22-1/2"	22-1/2"
<b>Maximum Vertical Wall Thickness is 4"</b>		

We recommend measuring individual units at installation.  
Refer to installation manual for detailed specifications on installing this product.