

## FINAL ASSEMBLY

**STEP #1** The Sonoma should be in your desired location.

**STEP #2** Slide the Firebox back into the unit. The unit is correctly installed when the back of the rock is flush with the stucco finish

**STEP #3** Have a qualified licensed professional make all the gas connections at this time. This should be done in accordance to all local and national codes.

**STEP #4** Slide the Hearth Pad into place evenly.

**STEP #5** Install the gas burner. Directions are included in the gas log box.

**STEP #6** Install the logs and accessories as detailed in the provided instructions

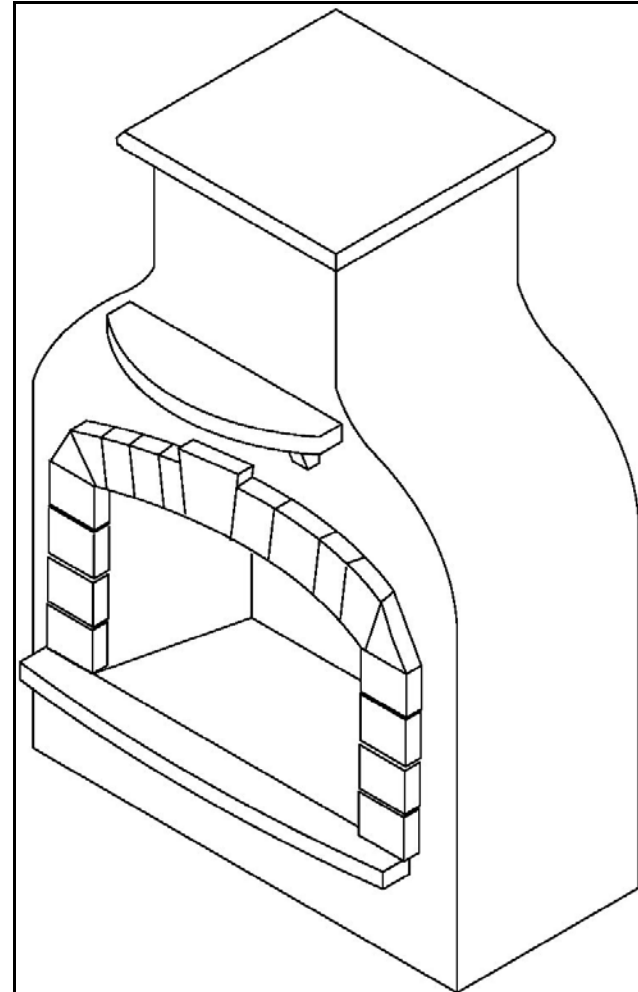
Fire Stone Home Products  
12400 Portland Avenue South  
Burnsville, MN 55337  
phone (952) 358-7438 | fax (952) 358-7414  
[www.firetonehp.com](http://www.firetonehp.com)



# ***SONOMA***

## **OWNER'S MANUAL**

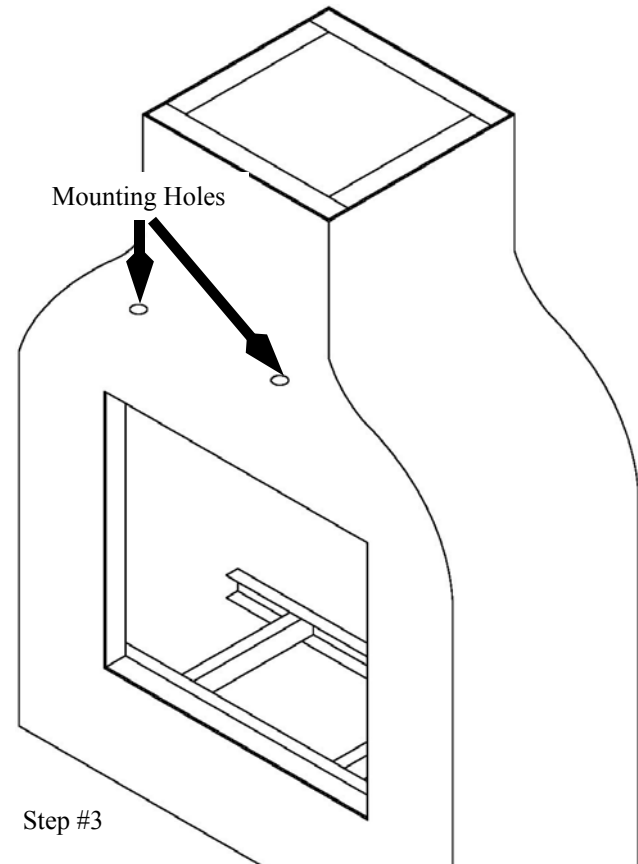
### **INSTALLATION INSTRUCTIONS**



## Contents

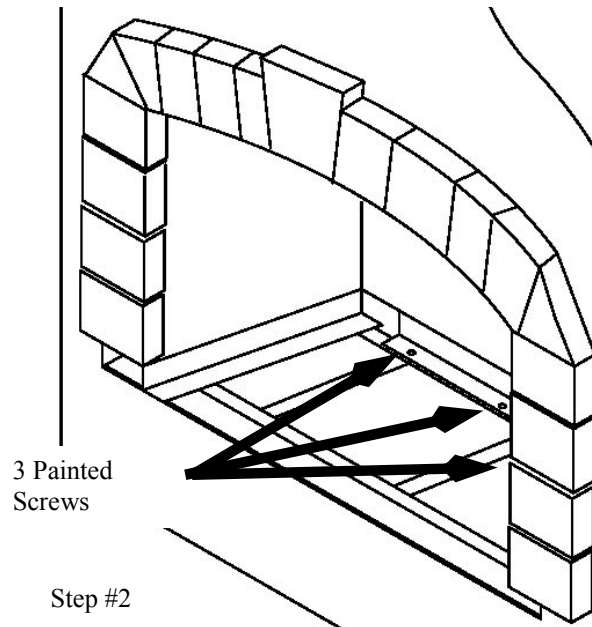
Contents.....	2
Required Tools.....	3
Unwrapping.....	4
Step One (Removal of Hearth Pad).....	5
Step Two (Removal Fire Box).....	6
Step Three (Mount Top Shelf).....	7
Final Assembly.....	8

## MOUNTING THE SHELF



- Step #3
1. Remove the 3/8" x 1-1/2" bolts from the back of the shelf.
  2. One person holding the shelf in place and the other person inside the Sonoma thread the bolts back into the inserts. **DO NOT OVER TIGHTEN OR LIFT FROM THIS SHELF**

## REMOVAL OF FIREBOX



1. Using a power drill remove all of the brown painted screws to dislodge the firebox.
2. With a minimum of two people slide the firebox out completely and set aside.
3. This is a good time to move the Sonoma into it's final place.

### **WARNING**

**FIREBOX WEIGHT IS 150-175 LBS.**

## REQUIRED TOOLS

- ⇒ ***Razor Knife***
  - To cut and remove packaging.
- ⇒ ***Hammer or Pry Bar***
  - To remove 1 x 2 and staples.
- ⇒ ***Power Drill or Philips Screw Driver***
  - To remove packaging screws.
- ⇒ ***9/16" Deep Socket or Standard Socket with Extension***
  - To attach the top shelf
- ⇒ ***Leather Gloves***
  - To protect hands from rough and sharp products found on the Sonoma.
- ⇒ ***It is recommended that a minimum of two people assemble and install the Sonoma.***

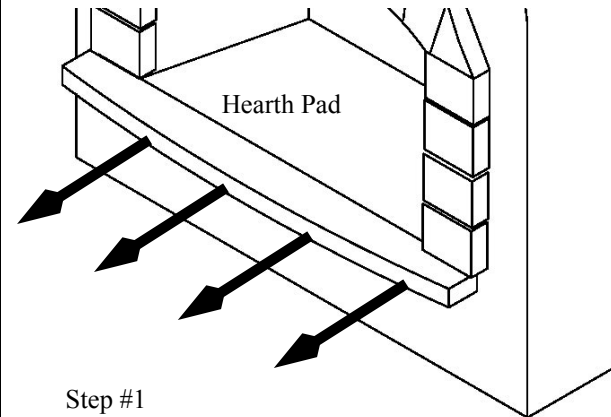
## UNWRAPPING PROCEDURE

### **WARNING**

**THE CAST TOP OF THE SONOMA IS NOT ATTACHED. DO NOT SLIDE OR MOVE THE UNIT UNTIL THIS HAS BEEN REMOVED.**

1. Carefully dissect the outside wrapping to expose the unit. Maintain control of the blade the product behind could be damaged.
2. Remove the 1 x 2's so the unit is more easily removed from the pallet.
3. **Remove the cast top with a minimum of two people and set aside.**
4. Remove the top shelf and burner assembly from the firebox. This is more easily done one at a time.

## REMOVAL OF THE HEARTH PAD



1. Slide the removable Hearth Pad out with care at an even rate. **DO NOT FORCE OR BIND THE PAD AGAINST THE FIREBOX.**